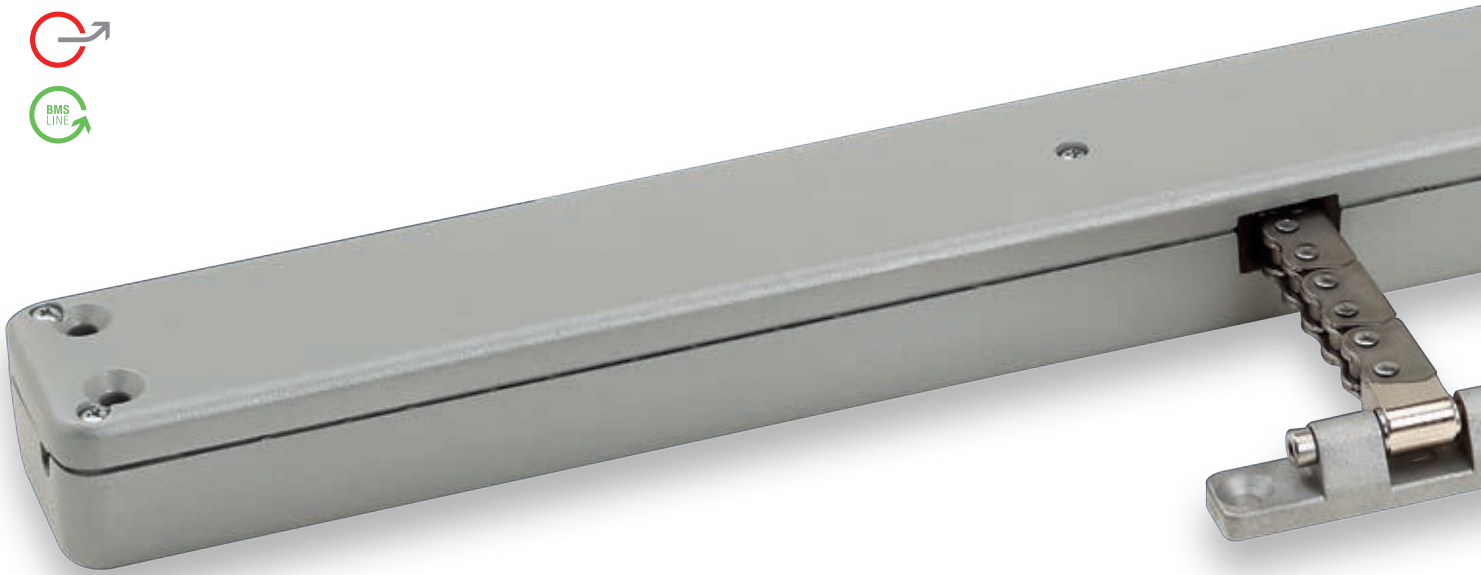


# VEGA

Chain actuator - Force in push action 300 N - Maximum stroke 300 mm



## MAIN FEATURES

- High performance in small die-cast aluminum casing (45 x 32 mm), powder painted.
- Chain in double stainless steel links.
- Chain exit in central position.
- Quick and easy installation: the manual closing position regulation is not required. The stop in closing position is regulated by an electronic limit switch control.
- Electronic stop in the intermediate positions in case of overload.
  
- **RF** version has an integrated radio receiver and it is supplied with radio remote control; the transmitter controls simultaneously all actuators within its field of action. Available on request actuators and remote controls with different radio codes.
- **SYNCHRO** versions are equipped with an integrated speed synchronization control board for the installation of more than one actuator on the same vent, avoiding any external control panel: max 4 Synchro Vega DC.
- **F-SIGNAL** versions provide opening and closing feedback signal (free potential, maintained contact), activated by the current limit.
- Suitable for combined installation with the additional locking device **E-LOCK** or **PLUSULTRA** (see related data sheet).

## OTHER VERSIONS UPON REQUEST:

- **VEGA DC** version with **IP32** protection class, for a higher resistance against atmospheric agents.

-   Versions for USA and Canada.

## INSTALLATION REMARKS

- The installation without brackets is possible for windows with pivoting hinges only if the vent height is at least 900 mm.
- In case of vents with four-bar hinges, please contact our Technical Dept.
- If installed on PVC windows, the profile has to be reinforced.
- In case of Building Management System control, avoid repetitive commands in the same direction.

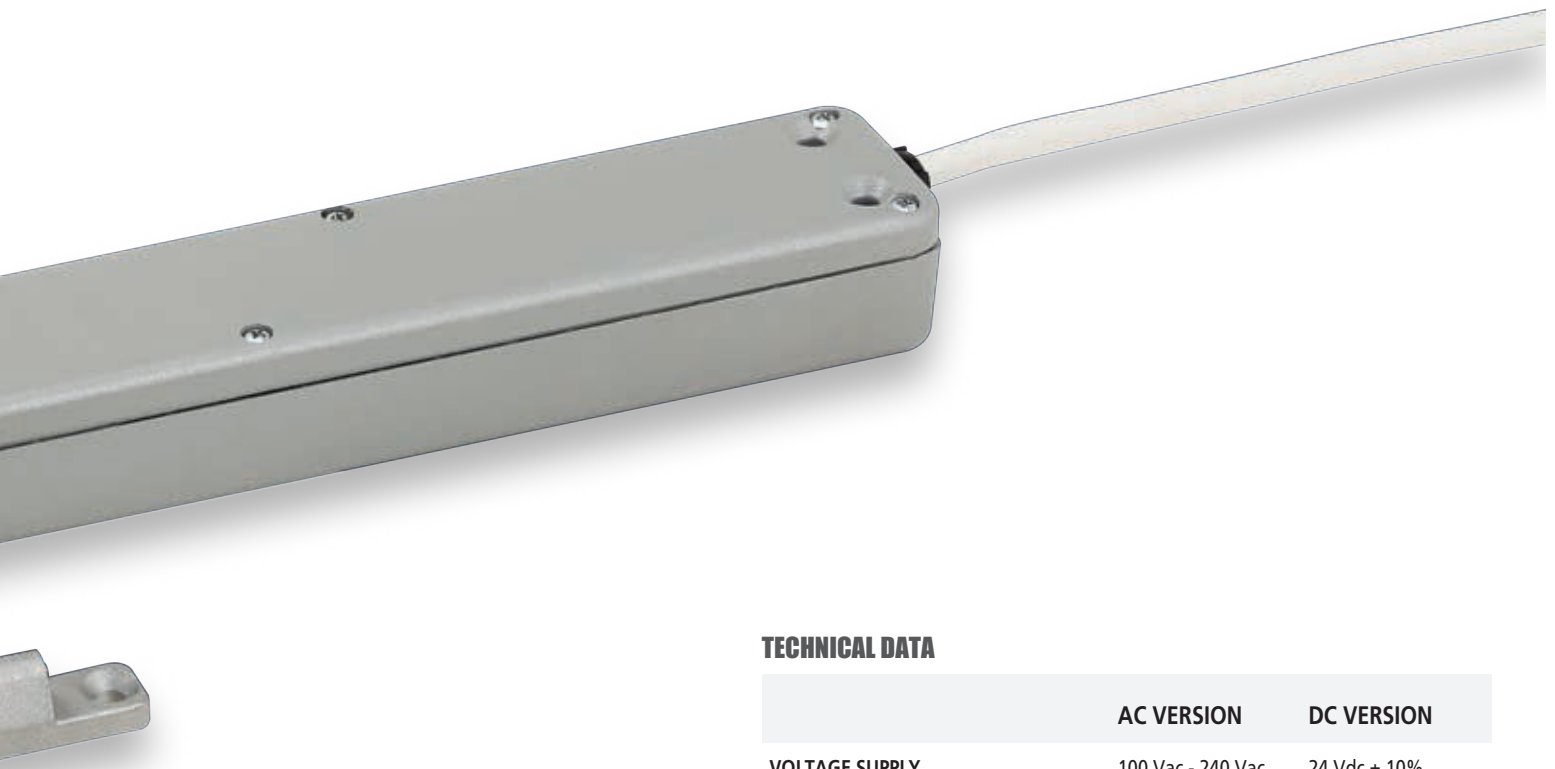
For further information contact our Tech. Dept.



24 Vdc version is suitable for installation on **Smoke and Heat Exhaust Ventilators (SHEV)** in conformity to European Standard **EN 12101-2**, tested by Istituto Giordano.



The Vega BMSline version is fully programmable (stroke, speed, force, ...); different scenarios are selectable with a connection to a computer through dedicated software. See BMSline section.



#### TECHNICAL DATA

|                               | AC VERSION        | DC VERSION         |
|-------------------------------|-------------------|--------------------|
| VOLTAGE SUPPLY                | 100 Vac - 240 Vac | 24 Vdc ± 10%       |
| CURRENT ABSORPTION (max load) | 0,3 A - 0,15 A    | 0,7 A              |
| OPERATION                     | -                 | polarity inversion |
| MAX FORCE                     | 300 N             | 300 N              |
| STROKE                        | 300 mm            | 300 mm             |
| SPEED                         | ~9 mm/s           | ~9 mm/s            |
| LOCKING FORCE                 | 2500 N            | 2500 N             |
| DUTY CYCLE                    | 50%               | 50%                |
| PARALLEL CONNECTION           | Yes               | Yes                |
| LIMIT STOP                    | Electronic        | Electronic         |
| SAFETY STOP                   | Electronic        | Electronic         |
| PROTECTION CLASS              | IP30              | IP30               |

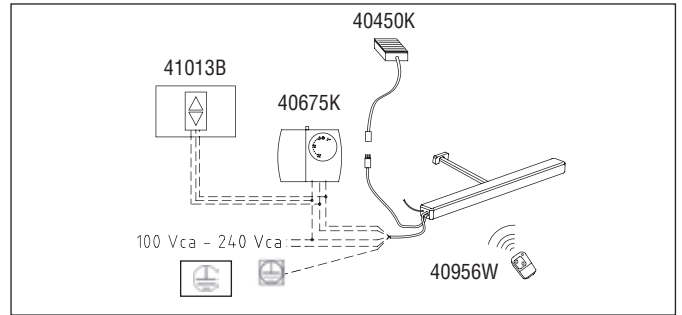
#### Part No. for AC VERSIONS (100 Vac - 240 Vac)

| MODEL        |  | SYNCHRO | FEEDBACK | CABLE   | COLOUR  | PART No.                   |
|--------------|--|---------|----------|---|---|----------------------------|
| VEGA AC      |  | -       | -        | 1,5 m<br>3 wires + earth                        | GREY RAL 9006<br>BLACK RAL 9005<br>WHITE RAL 9010 | 40900K<br>40901L<br>40902M |
| VEGA RF      | Integrated radio receiver<br>Remote control included                                     | -       | -        | 1,5 m<br>4 wires + earth                        | GREY RAL 9006<br>BLACK RAL 9005<br>WHITE RAL 9010 | 40906Q<br>40907R<br>40908S |
| VEGA RF-RAIN | Integrated radio receiver<br>Remote control included<br>Cable connection for rain sensor | -       | -        | 2 x 1,5 m cables:<br>4 wires + earth<br>3 wires | GREY RAL 9006<br>BLACK RAL 9005<br>WHITE RAL 9010 | 41015D<br>41016E<br>41017F |

#### Part No. for DC VERSIONS (24 Vdc ±10%)

| MODEL                    |  | SYNCHRO | FEEDBACK   | CABLE                       | COLOUR  | PART No.                   |
|--------------------------|--|---------|------------|-----------------------------|---|----------------------------|
| VEGA DC                  |  | -       | -          | 1,5 m<br>2 wires            | GREY RAL 9006<br>BLACK RAL 9005<br>WHITE RAL 9010 | 40903N<br>40904O<br>40905P |
| SYNCHRO VEGA DC          |  | Yes     | -          | 3 m<br>5 wires              | GREY RAL 9006<br>BLACK RAL 9005<br>WHITE RAL 9010 | 41122C<br>41123D<br>41124E |
| VEGA DC F-SIGNAL         |  | -       | open/close | 1,5 m<br>5 wires            | GREY RAL 9006<br>BLACK RAL 9005<br>WHITE RAL 9010 | 41304W<br>41305X<br>41306Y |
| SYNCHRO VEGA DC F-SIGNAL |  | Yes     | open/close | 2x 3 m<br>5 wires - 3 wires | GREY RAL 9006<br>BLACK RAL 9005<br>WHITE RAL 9010 | 41307Z<br>41308A<br>41309B |

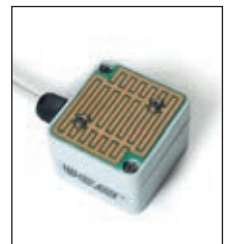
**NOTE:** brackets not included - to be ordered separately



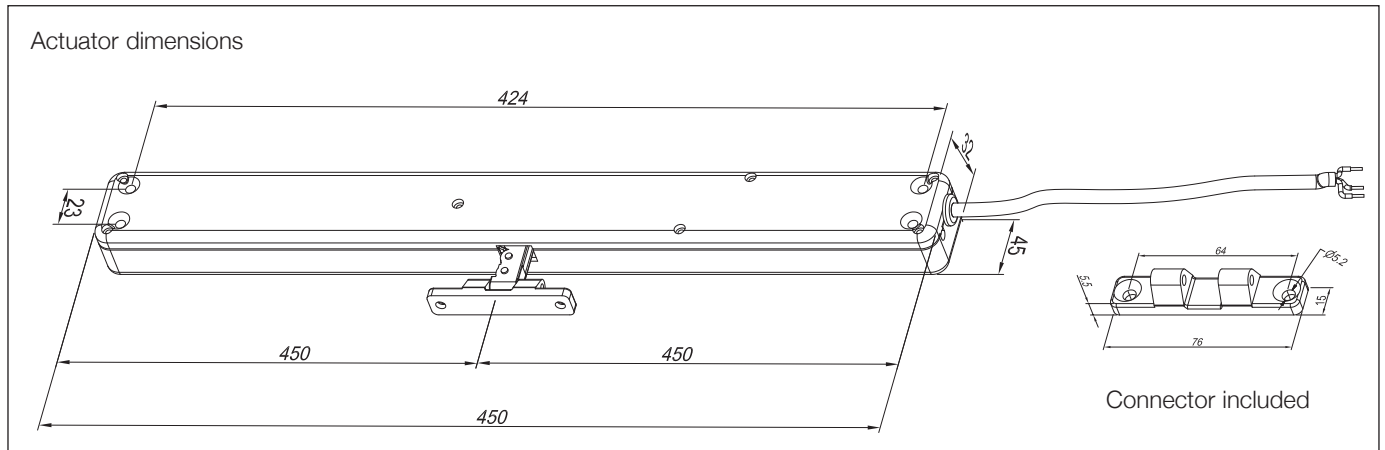
For a more detailed wiring layout see the manual of instructions



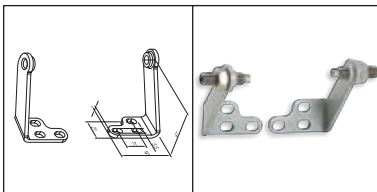
Radio control supplied with VEGA RF and VEGA RF-RAIN ACTUATOR part No. 40956W



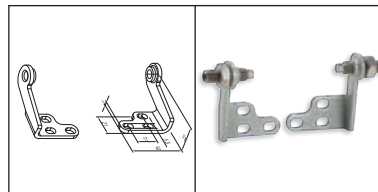
Rain sensor RS part No. 40450K



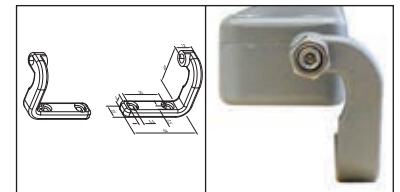
**Accessories**



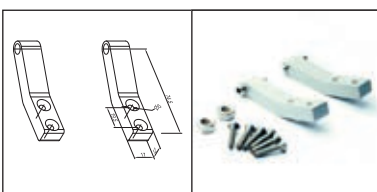
Long slim bracket kit  
 GREY RAL 9006 part no. 41898F  
 BLACK RAL 9005 part no. 41899G  
 WHITE RAL 9010 part no. 41900H



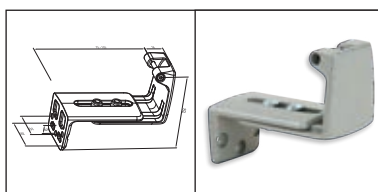
Short slim bracket kit  
 GREY RAL 9006 part no. 41901I  
 BLACK RAL 9005 part no. 41902J  
 WHITE RAL 9010 part no. 41903K



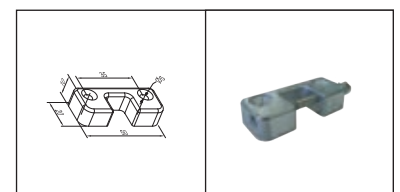
Die-cast bracket kit  
 GREY RAL 9006 part no. 40843F  
 BLACK RAL 9005 part no. 40844G  
 WHITE RAL 9010 part no. 40845H



Long bracket kit  
 GREY RAL 9006 part no. 40941H  
 BLACK RAL 9005 part no. 40942I  
 WHITE RAL 9010 part no. 40943J



Aluminum adjustable "Z" bracket for bottom hinged windows  
 GREY part no. 41709Z  
 BLACK part no. 41710A  
 WHITE part no. 41711B



Flat connector (alternative)  
 GREY part no. 84793Z

## Installation examples



Top hinged windows



Top hinged windows, two Synchro actuators



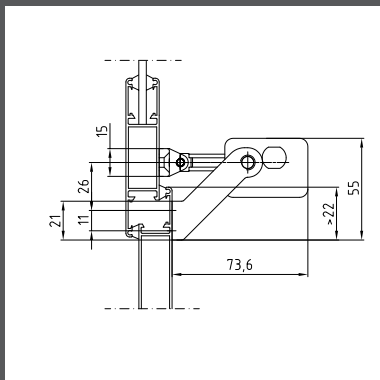
Side hinged windows



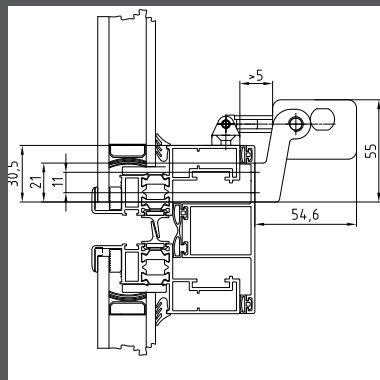
Roof windows



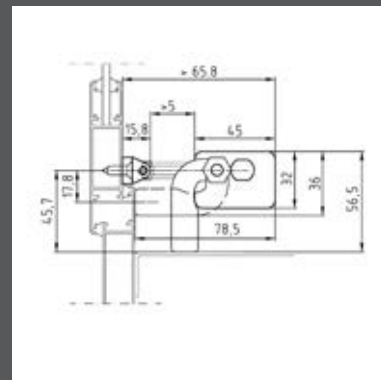
Parallel windows



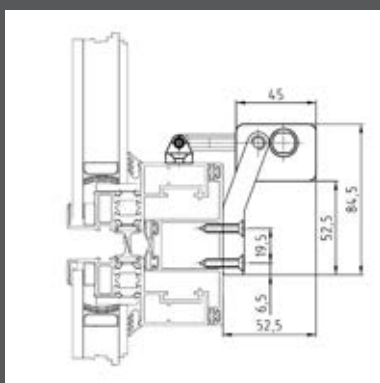
Front installation with long slim bracket



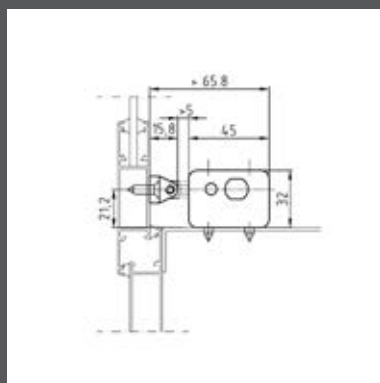
Concealed vent with short slim bracket



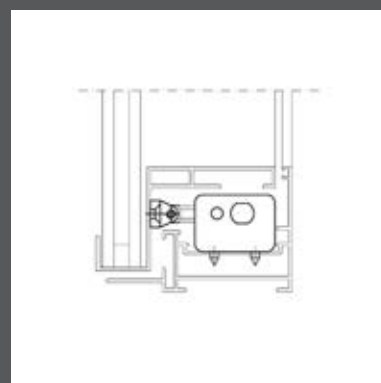
With or without windowsill, with die-cast bracket



With long bracket kit



On windows with windowsill



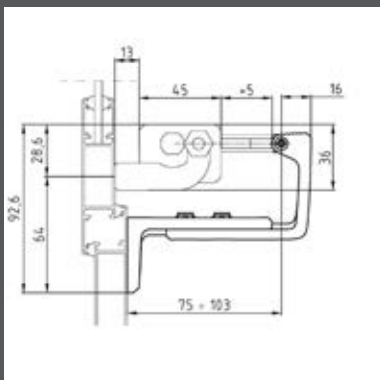
Inside a curtain wall frame



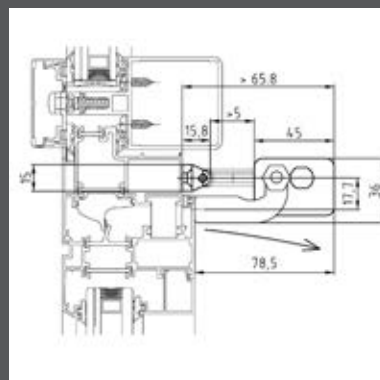
Bottom hinged windows



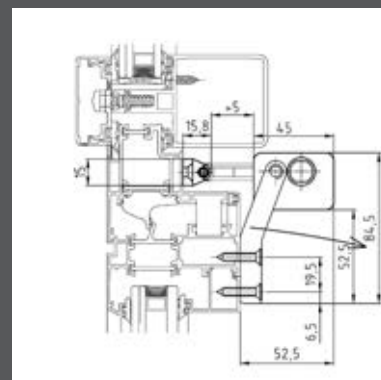
Side hinged windows



On the frame with adjustable "Z" bracket



On the vent with die-cast bracket



On the vent with long bracket kit

**⚠** The instructions for a safe installation are included in the section "SECURITY WARNINGS"

### SPECIFICATION PROSPECTS

Electric chain actuator Ultraflex Control Systems named Vega with chain in double stainless steel links.

Voltage supply: from 100 to 240 Vac or 24 Vdc – Electronic limit stop; electronic stop in the intermediate positions in case of overload. Casing in painted die-cast aluminium with very small section (45x32 mm).

Electric chain actuator Ultraflex Control Systems named Synchro-Vega with chain in double stainless steel links. Suitable for mounting more than one actuators (max 4 actuators) on the same vent.

Voltage supply: 24 Vdc – Electronic limit stop; speed control; electronic stop in the intermediate positions in case of overload. Casing in painted die-cast aluminium with very small section (45x32 mm).

It is conform to 2004/108/CE directive.

When "free potential open/close feedback" is required, indicate suffix "F-SIGNAL"