

T-RACK, DUAL T-RACK, SYNCHRO T-RACK

Linear rack actuators - Force in push action 1000/2000 N - Stroke 350, 550, 750 and 1000 mm



- 12 mm square rack transmission.
- Supplied with 1,5 m cable.
- Available end brackets or sliding brackets (to be ordered separately); the dovetail slide allows the fixing on the whole length of the Rack actuator.
- 24 Vdc version is suitable for installation on **Smoke and Heat Exhaust Ventilators (SHEV)** in conformity to European Standard **EN 12101-2**.
- Available on request:
 - 1200 mm stroke
 - F-SIGNAL versions with opening and closing feedback signal (free potential, maintained contact), activated by the current limit.

| | T-RACK 230 V AC | T-RACK 24 V DC | SYNCHRO T-RACK 24 V DC | |
|------------------------------------|------------------------|-----------------------|-------------------------------|---------------------|
| VOLTAGE SUPPLY | 230 Vac \pm 10% | 24 Vdc \pm 10% | 24 Vdc \pm 10% | |
| ELECTRIC CONNECTION | 3 wires + earth | 2 wires + signalling | 5 wires | |
| OPERATION | - | by polarity inversion | by polarity inversion | |
| FORCE IN PUSH ACTION | 1000 N | 1000 N | 1000 N | |
| FORCE IN PULL ACTION | 1000 N | 1000 N | 1000 N | |
| SPEED | ~ 12,5 mm/s | ~ 12,5 mm/s | ~ 12,5 mm/s | |
| CURRENT ABSORPTION (with max load) | 0,22 A | 1,5 A | 1,5 A | |
| PARALLEL CONNECTION | YES | YES | YES | |
| LIMIT STOP | Electronic | Electronic | Electronic | |
| SAFETY STOP | Electronic | Electronic | Electronic | |
| FEEDBACK SIGNAL | - | Open/close | - | |
| PROTECTION CLASS | IP65 | IP65 | IP65 | |
| | SILVER ANODIZED | SILVER ANODIZED | SILVER ANODIZED | |
| PART No. | | | | T-Rack Group |
| STROKE 350 mm | 41740E | 41745J | 41750O | 41755T |
| STROKE 550 mm | 41741F | 41746K | 41751P | 41756U |
| STROKE 750 mm | 41742G | 41747L | 41752Q | 41757V |
| STROKE 1000 mm | 41743H | 41748M | 41753R | 41758W |

CONNECTING ROD:

Diameter 12 mm in stainless steel. Quick clutch: fixing accessories are not necessary.
Available lengths (distance between racks) are:

| PART No. | |
|-----------------|--------|
| 1000 mm | 40231B |
| 1500 mm | 40232C |
| 2000 mm | 40233D |

MULTIPLE SYSTEMS

- For large domes/top hinged windows or to provide more stability, the Rack actuator can be used in the **Dual T-Rack** version, providing two push points on the same vent. For each system assembly are necessary 1 Rack actuator, 1 Rack group, 1 connecting rod and 2 end brackets (part No. 41760Y)
- For a special multiple application when speed synchronization or more power is required, max 4 actuators **Synchro T-Rack** can be used, each one providing 1000 N force. Synchro T-Rack version is equipped with an integrated speed synchronization control board, avoiding the installation of an external control box

Installation examples



Installation on top hinged window



Installation on domes



Installation on bottom hinged windows outward opening



Installation on vertically opening domes

⚠ The instructions for a safe installation are included in the section “SECURITY WARNINGS”

SPECIFICATION PROSPECTS

T-RACK

Electric linear actuator Ultraflex Control Systems. Available strokes 350, 550, 750 or 1000 mm. Voltage supply: 230 Vac or 24 Vdc. Electronic safety limit stop and electronic stop in the intermediate positions. Parallel connection. Color: silver anodized. Force 1000 N

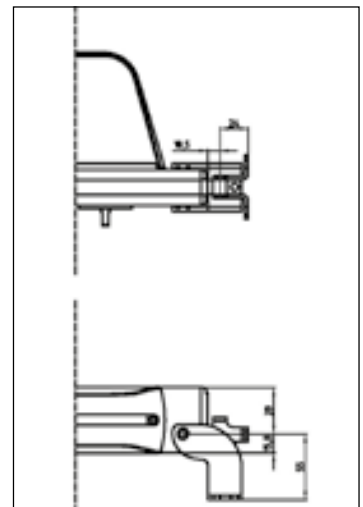
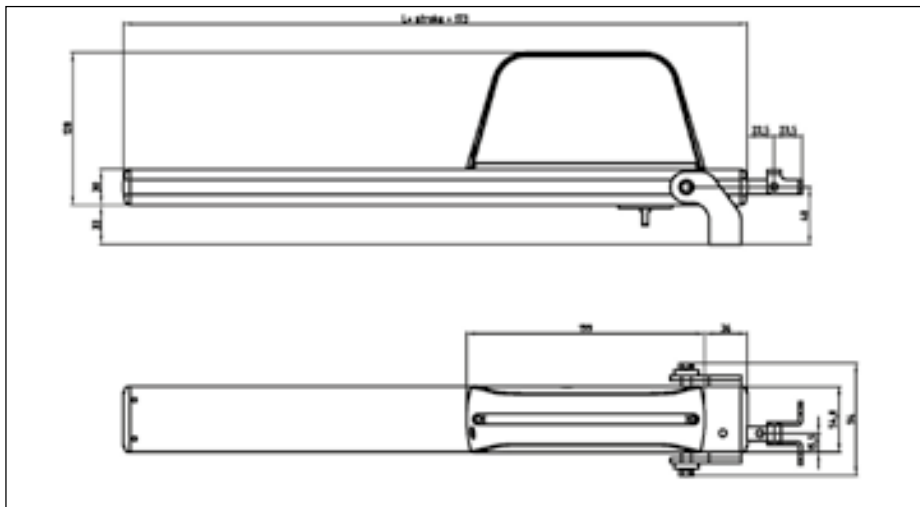
T-Rack 230 Vac and T-Rack 24 Vdc are conform to 2004/108/CE directive, the 230 Vac version is also conform to 2006/95/CE directive.

DUAL T-RACK

System assembly with two push points composed by one T-Rack Actuator, one T-Rack Group and a connecting rod. Force 1000 N

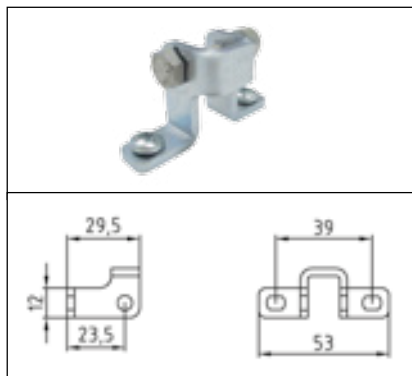
SYNCHRO T-RACK

Electric linear actuator Ultraflex Control Systems with integrated speed synchronization control board, for two or more push points without connecting rod. Force 1000 N each actuator.

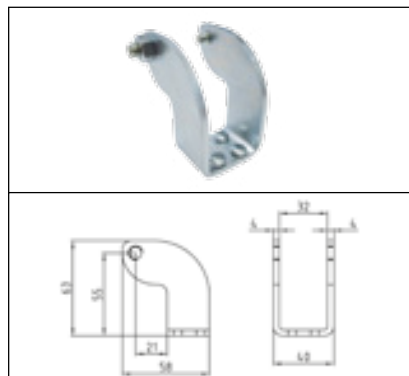


Actuator dimensions

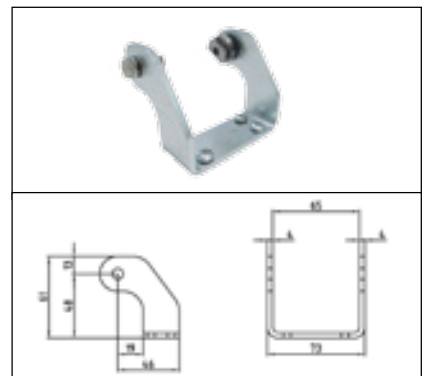
Accessories



Connector kit to fix the rack to the vent



Fixed bracket part No. 41760Y



Sliding bracket part No. 41761Z