

CAT

Manual chain opener



- Manual chain operator for skylights, roof windows and top hinged windows.
- Easy and quick installation on wood, metal and PVC windows.
- Maximum opening approx. 260 mm. It is possible to stop the sash in any position.
- Allows window operation without remove any insect screen.
- When closed it is not possible to open the window from outside.
- Smooth and easy operation.
- Quick release system for easy window cleaning.
- Corrosion protected chain. Suitable for windows with more than 300 mm height.*
- The CAT chain actuator is supplied with a handle for installation on windowsill or eyelet for operation by crank handle for skylights or roof windows.

PART No.

CAT CHAIN OPENER WITH HANDLE

CAT CHAIN OPENER WITH EYELET

WHITE RAL 9010

40761WIN

40761SKY

BLACK RAL 9005

40807WIN

40807SKY

GREY RAL 9006

40808WIN

40808SKY

CRANK HANDLE

Lenght

1500 mm

2000 mm

2500 mm

3000 mm

40764E

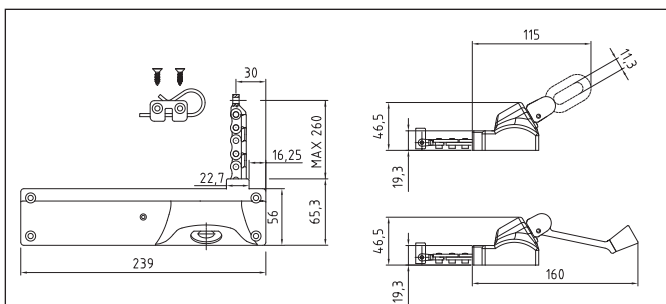
40765F

40766G

40767H

SPECIFICATION PROSPECTS

Ultraflex Control Systems manual actuator with chain for operating top hinged windows by handle or skylights by eyelet and crank handle. Maximum stroke 260 mm.



Actuator dimension

Maximum load on the chain 180N

The above value do not include any wind or snow load.

* For window less than 500 mm high, please refer to the user manual.



The instructions for a safe installation are included in the section "SECURITY WARNINGS"