

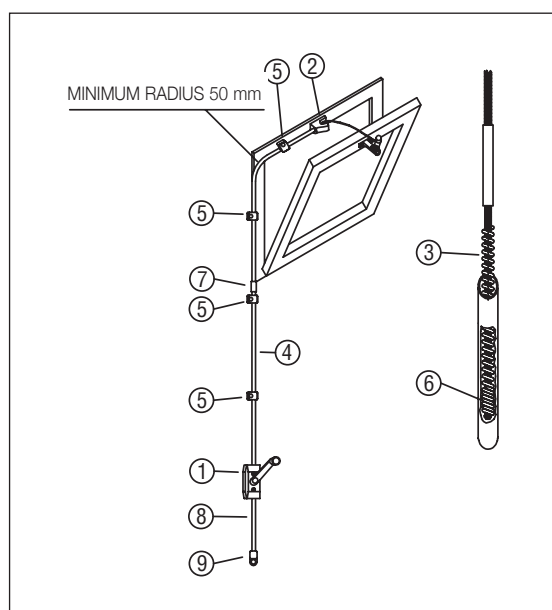
KIT for single bottom hinged windows with rope



- Suitable for single bottom hinged windows with less than 1,5 m width.
- To have less friction, in order to reduce the effort, a rope has substituted the helical cable which is present just in correspondence of the control operator.
- Quick and easy installation. The conduit preparation tool is not required.
- The small section of the conduit allows an only 50 mm radius bend: it is usually possible to install the conduit on the window frame.
- Maximum opening 250 mm; the kit is provided with already cut spent travel tube.
- The conduit, coated in PVC, is supplied in 3 m pieces.

NOTE: to open more than one window, loose elements must be ordered.

⚠ The instructions for a safe installation are included in the section "SECURITY WARNINGS".
On bottom hinged windows for safety reasons always install side checks.



PART No.

Conduit length		3,00 m	4,50 m	6,00 m
Color	WHITE	40166J	40167K	40168N
	BLACK	40171G	40172H	40173I
	GREY	40194R	40195S	40196T

Items contained into the KIT

Pos.	Description	Q.ty	Q.ty	Q.ty
1	Flat operator	1	1	
2	Locking opener	1	1	
3	Cable	3 m	4,5 m	6 m
4	Conduit	3 m	4,5 m	6 m
5	Saddle	4	8	8
6	Lock spring	1	1	1
7	Connector	0	1	1
8	Spent travel tube	1	1	1
9	End plug	1	1	1