

STILE

Chain actuator – Force 300 N – Stroke 400 mm



MAIN FEATURES

- Double link chain for a better load resistance in case of top hinged windows, heavy windows or roof windows.
 - Glass strengthened nylon casing.
 - Double electric insulation actuator (no electric connection to earth is needed).
 - The special removable plug allows a very quick and easy connection. It is ideal for the final test of the actuators on the building site.
 - Provided with closing feedback signal.
-
- **STILE** with selectable stroke 230/400 mm
 - **STILE R** with a maximum stroke of 400 mm, adjustable from 0 to 300 mm, by positioning a magnet on the chain during installation.
 - **STILE RF** with a selectable stroke 230/400 mm and integrated Radio Receiver. Radio Transmitter to be ordered separately-

INSTALLATION REMARKS

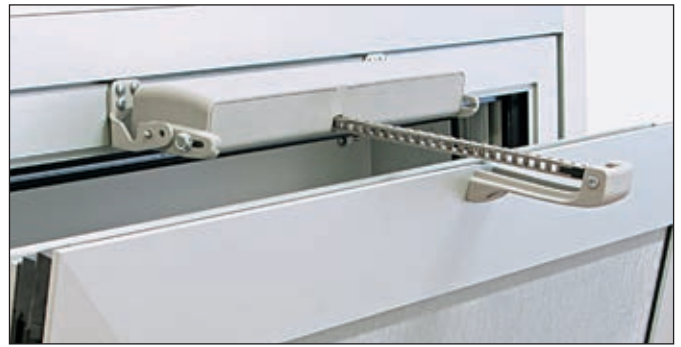
- Exclusive system for a quick and safe installation.
- Quick release system for an easy window cleaning.
- Supplied with pivoting brackets and spacer for chain connector to be used on windows with a high overlap.
- In case of vents with four-bar hinges, please contact our Technical Dept.
- For installation of two **STILE** on the same vent it is available the Coupling Control Unit CP230, part No. 41089V.
(See CONTROL ACCESSORIES section)



	STILE	STILE R	STILE RF
VOLTAGE SUPPLY	230 Vac 50/80 Hz	230 Vac 50/80 Hz	230 Vac 50/80 Hz
ELECTRIC CONNECTION	3 wires (*)	3 wires (*)	3 wires (*)
MAXIMUM STROKE	selectable 230/400 mm	400 mm: adjustable from 0 to 300 mm	selectable 230/400 mm
FORCE	300 N (**)	300 N (**)	300 N (**)
SPEED	~30 mm/s	~30 mm/s	~30 mm/s
CURRENT ABSORPTION (max load)	0,8 A	0,8 A	0,8 A
PARALLEL CONNECTION	Yes	Yes	Yes
LIMIT STOP	Micro switches	Micro switches/Hall sensor	Micro switches
PROTECTION	Thermic	Thermic	Thermic
FEEDBACK SIGNAL	Close	Close	Close
PROTECTION CLASS	IP20	IP20	IP20
RADIO RECEIVER (integrated)	No	No	Yes
PART No.			
GRAY	41554A	41558E	41730U
BLACK	41555B	41559F	41731V
WHITE	41556C	41560G	41732W

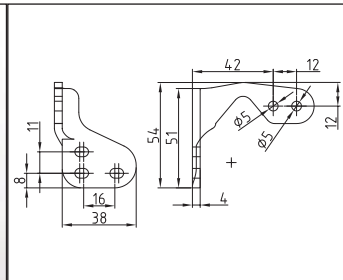
(*) Double electric insulation actuator: no electric connection to earth is needed.

(**) In case of push action and full stroke, maximum force is intended for short period only



Radio Transmitter
part No. 41729T
Compatible with Stile-RF and
Radio Receiver 230 Vac
and 24 Vdc.
6 CH (open-stop-close)
can operate up to 6
CH simultaneously and/or
independently.

Accessories



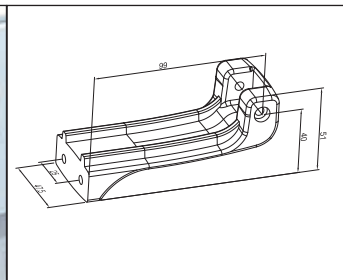
Pivoting brakets (included)



11 mm chain connector
spacer (included)



Electrical connector included
(no cable)

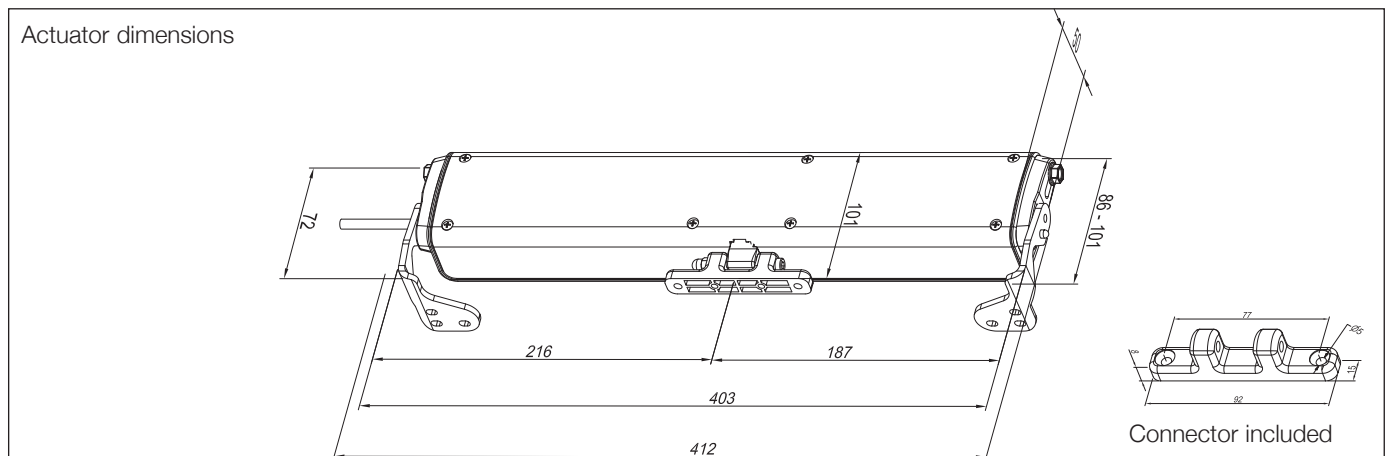
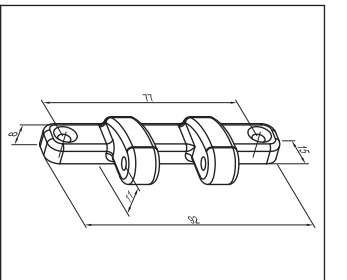


Bottom hinged window
plastic bracket (to be ordered
separately)

GREY: Part No. 41582C
BLACK: Part No. 41583D
WHITE: Part No. 41584E



Chain connectof for concealed vent (to be ordered separately)
GREY: Part No. 41590K
BLACK: Part No. 41591L
WHITE: Part No. 41592M



Installation examples



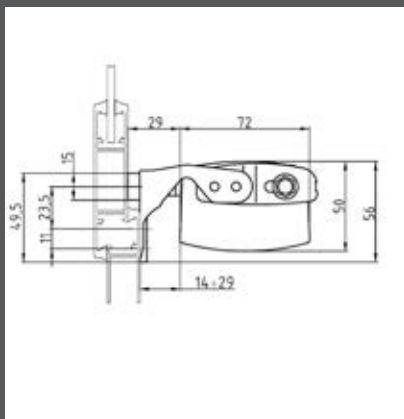
Top hinged windows



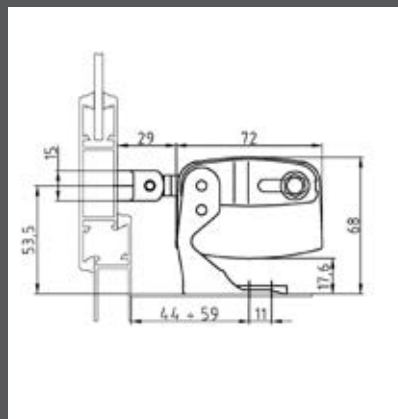
Side hinged windows



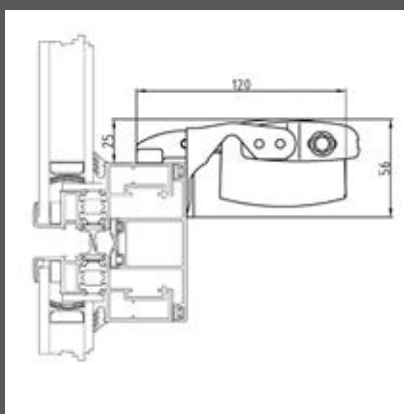
Roof windows



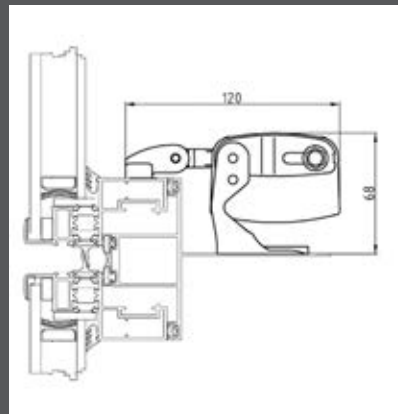
On the frame with pivoting brackets included



On the windowsill with pivoting brackets included



On the frame with pivoting brackets included and chain connector for concealed vents



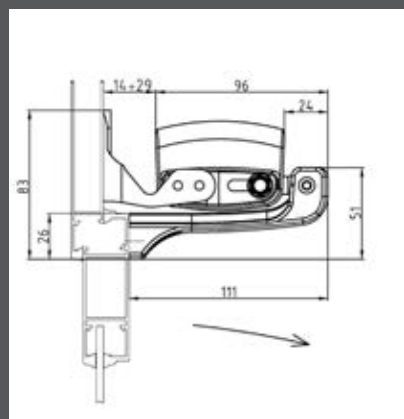
On the windowsill with pivoting brackets included and chain connector for concealed vents



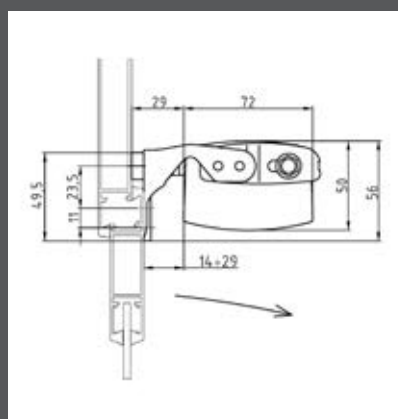
Bottom hinged windows




Side hinged windows



On the frame with pivoting brackets included and bottom hinged bracket



On the vent with pivoting brackets included

 The instructions for a safe installation are included in the section "SECURITY WARNINGS"

SPECIFICATION PROSPECT

Class 2 electric insulation chain actuator Ultraflex Control Systems named Stile with double link chain in two versions: selectable stroke 230/400 mm or adjustable stroke from 0 to 300 mm. Voltage supply: 230 Vac. Parallel connection. Limit stop by micro switches and thermal protection. Plastic scratch resistant finish.