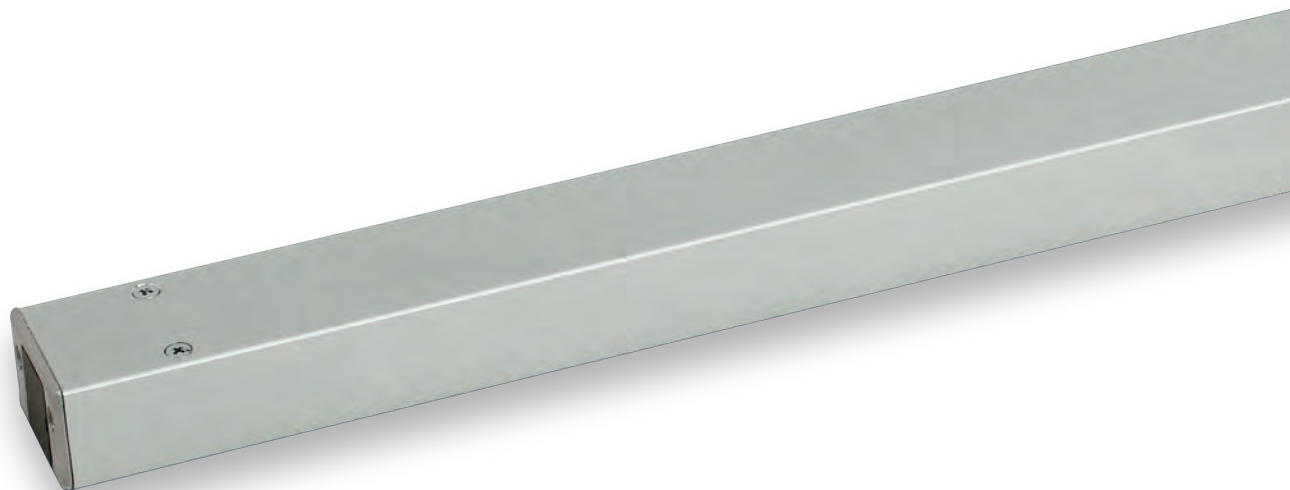


NANO

Chain actuator - Force in push action 400 N - Maximum stroke 800 mm



MAIN FEATURES

- The highest performance (400 N) in the smallest case (24 x 35 mm)
- Very silent operation
- Chain in double stainless steel links.
- Aluminum extrusion
- Electronic stop in the intermediate positions in case of overload.
- The **SYNCHRO NANO** versions are equipped with an integrated speed synchronization control board for the installation of more than one actuator on the same vent, avoiding any external control panel (max 4 actuators).
The quiet operation is ensured by the slow speed for natural ventilation; the maximum speed for smoke ventilation is activated by UCS C-SV Control Panels. SYNCHRO NANO versions provide also open/close feedback. Cable connection possible on both sides.
- The **SYNCHRO NANO F-SIGNAL** versions provide free potential opening and closing feedback signal (maintained contact), activated by the current limit.
- **NANO DC** is provided with 1,5 m cable without selectable features (Synchronization, feedback signal and speed selection).
The quiet operation is ensured by the slow speed (4 mm/s) for natural ventilation.
Available on request NANO DC actuators with maximum speed for smoke ventilation systems.
- Suitable for combined installation with the additional locking device E-LOCK (see related data sheet).

OTHER VERSIONS UPON REQUEST:

- **NANO** versions with **IP42** protection class, for a higher resistance against atmospheric agents.

INSTALLATION REMARKS

- In case of vents with four-bar hinges, please contact our Technical Dept.
- If installed on PVC windows, the profile has to be reinforced.
- In case of Building Management System control, avoid repetitive commands in the same direction.

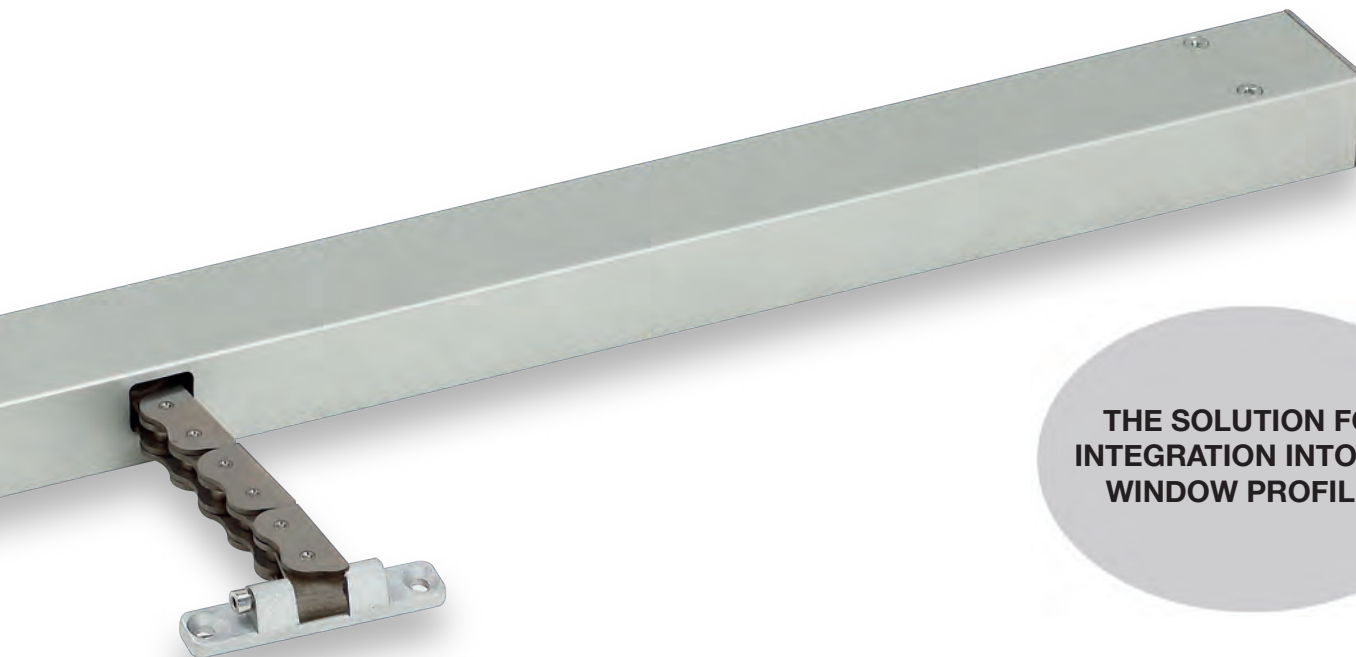
For further information contact our Tech. Dept.



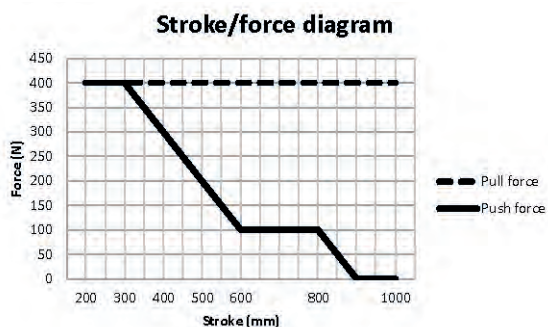
Suitable for installation on **Smoke and Heat Exhaust Ventilators (SHEV)** in conformity to European Standard **EN 12101-2** (pending test).



The BMSline version is fully programmable (stroke, speed, force, ...); different scenarios are selectable with a connection to a computer through dedicated software. See BMSline section.



**THE SOLUTION FOR
INTEGRATION INTO THE
WINDOW PROFILES**



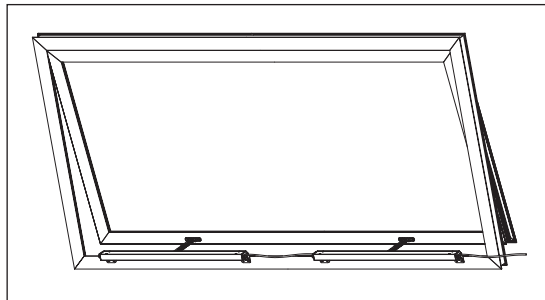
TECHNICAL DATA

	DC VERSION
VOLTAGE SUPPLY	24 Vdc ± 15%
CURRENT ABSORPTION (max load)	1 A
OPERATION	polarity inversion
MAX FORCE	400 N
SPEED	4 - 14 mm/s
DUTY CYCLE	30%
PARALLEL CONNECTION	Yes
LIMIT STOP	Electronic
SAFETY STOP	Electronic
PROTECTION CLASS	IP40

Part No. for DC VERSIONS (24 Vdc ±15%)

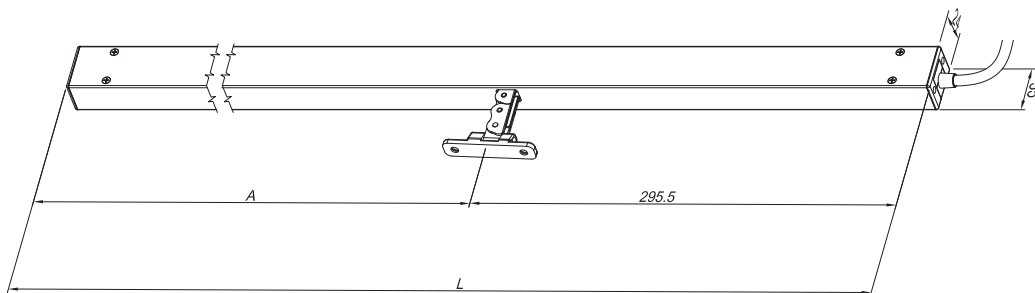
MODEL	SYNCHRO	FEEDBACK	CABLE	COLOUR	PART No. (Stroke)		
NANO DC	-	-	1,5 m 2 wires	SILVER ANODIZED	200 mm	300 mm	400 mm
				BLACK RAL 9005	41944Z	41947C	41950F
				WHITE RAL 9010	41945A	41948D	41951G
					41946B	41949E	41952H
					500 mm	600 mm	800 mm
					41953I	41956L	41959O
SYNCHRO NANO DC	Yes	open/close	8 pole connector	SILVER ANODIZED	41962R	41965U	41968X
				BLACK RAL 9005	41963S	41966V	41969Y
				WHITE RAL 9010	41964T	41967W	41970Z
					500 mm	600 mm	800 mm
					41971A	41974D	41977G
					41972B	41975E	41978H
SYNCHRO NANO DC F-SIGNAL	Yes	free potential open/close	8 pole connector	SILVER ANODIZED	41973C	41976F	41979I
				BLACK RAL 9005	41980J	41983M	41986P
				WHITE RAL 9010	41981K	41984N	41987Q
					41982L	41985O	41988R
					500 mm	600 mm	800 mm
					41989S	41992V	41995Y
	41990T	41993W	41996Z				
	41991U	41994X	41997A				

NOTE: brackets, electrical connector and cable not included - to be ordered separately

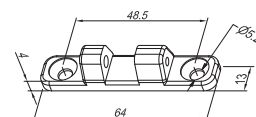


SYNCHRO NANO DC
Installation on top hinged windows, with cable
with 2 connectors between the actuators

Actuators dimensions

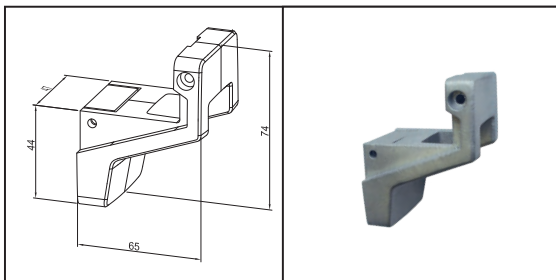


STROKE	A	L
200	254,5	550
300	304,5	600
400	304,5	600
500	404,5	700
600	404,5	700
800	604,5	900
1000	604,5	900

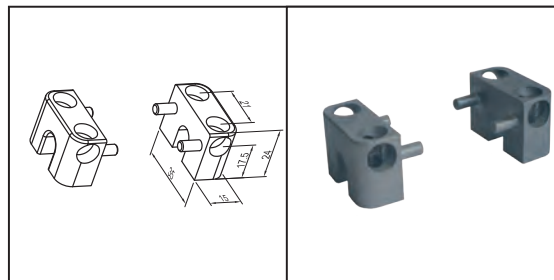


Connector included

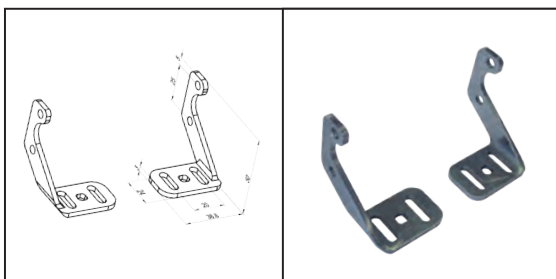
Accessories - Brackets



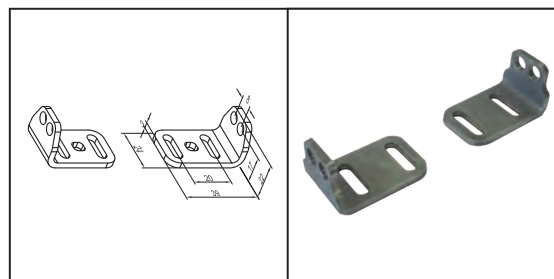
Aluminum bracket for bottom hinged windows:
GREY part no. 41941W
BLACK part no. 41942X
WHITE part no. 41943Y



Side bracket kit:
GREY part no. 41938T
BLACK part no. 41939U
WHITE part no. 41940V



Front bracket kit:
GREY part no. 41935Q
BLACK part no. 41936R
WHITE part no. 41937S



Back bracket kit:
GREY part no. 41932N
BLACK part no. 41933O
WHITE part no. 41934P

Accessories - Electrical connectors and cables

- 42016T Electrical Connector with 1,5 m cable (white) for SYNCHRO NANO DC
- 42017U Electrical Connector with 1,5 m cable (black) for SYNCHRO NANO DC
- 42020X Electrical Connector with 1,5 m cable (white) for SYNCHRO NANO DC F-SIGNAL

- 42021Y Electrical Connector (without cable) for SYNCHRO NANO DC and SYNCHRO NANO DC F-SIGNAL
- 42018V Cable with 2 connectors (1m, white) for installations of 2 x SYNCHRO NANO DC actuators.
- 42019W Cable with 2 connectors (1m, black) for installations of 2 x SYNCHRO NANO DC actuators.

Installation examples



Top hinged windows



Top hinged windows, two Synchro actuators



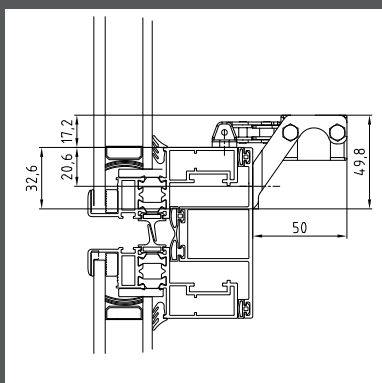
Side hinged windows



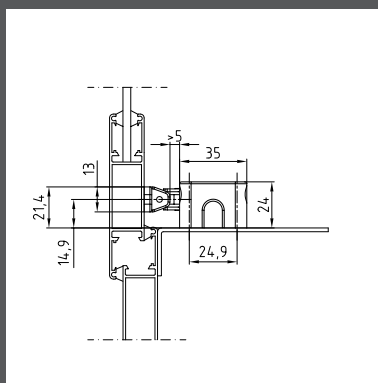
Roof windows



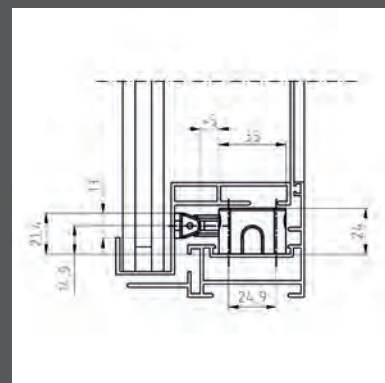
Parallel windows



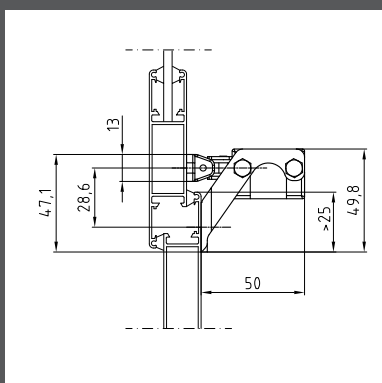
Concealed vent with front bracket



On windowsill with side brackets



Integrated into window profiles with side brackets



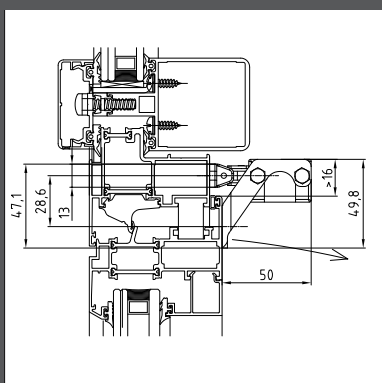
With front brackets



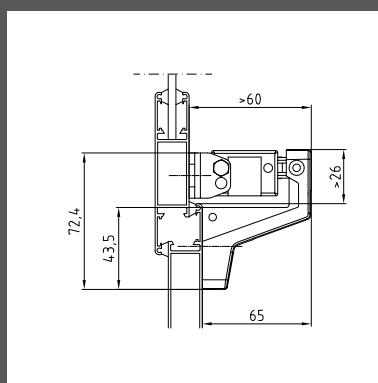
Bottom hinged windows



Side hinged windows



On the vent with front brackets



On the frame with back brackets and aluminum "Z" bracket

 The instructions for a safe installation are included in the section "SECURITY WARNINGS"

SPECIFICATION PROSPECTS

Electric chain actuator Ultraflex Control Systems named Nano DC with chain in double stainless steel links. High performance (400 N) in very small case (24 x 35 mm). Voltage supply: 24 Vdc – Electronic limit stop; electronic stop in the intermediate positions in case of overload. Electric chain actuator Ultraflex Control Systems named Synchro Nano DC with chain in double stainless steel links. High performance (400 N) in very small case (24 x 35 mm). Voltage supply: 24 Vdc – Electronic limit stop; electronic stop in the intermediate positions in case of overload. Suitable for mounting more than one actuators (max 4 actuators) on the same vent: integrated speed synchronization. When "free potential open/close feedback" is required, indicate suffix "F-SIGNAL"