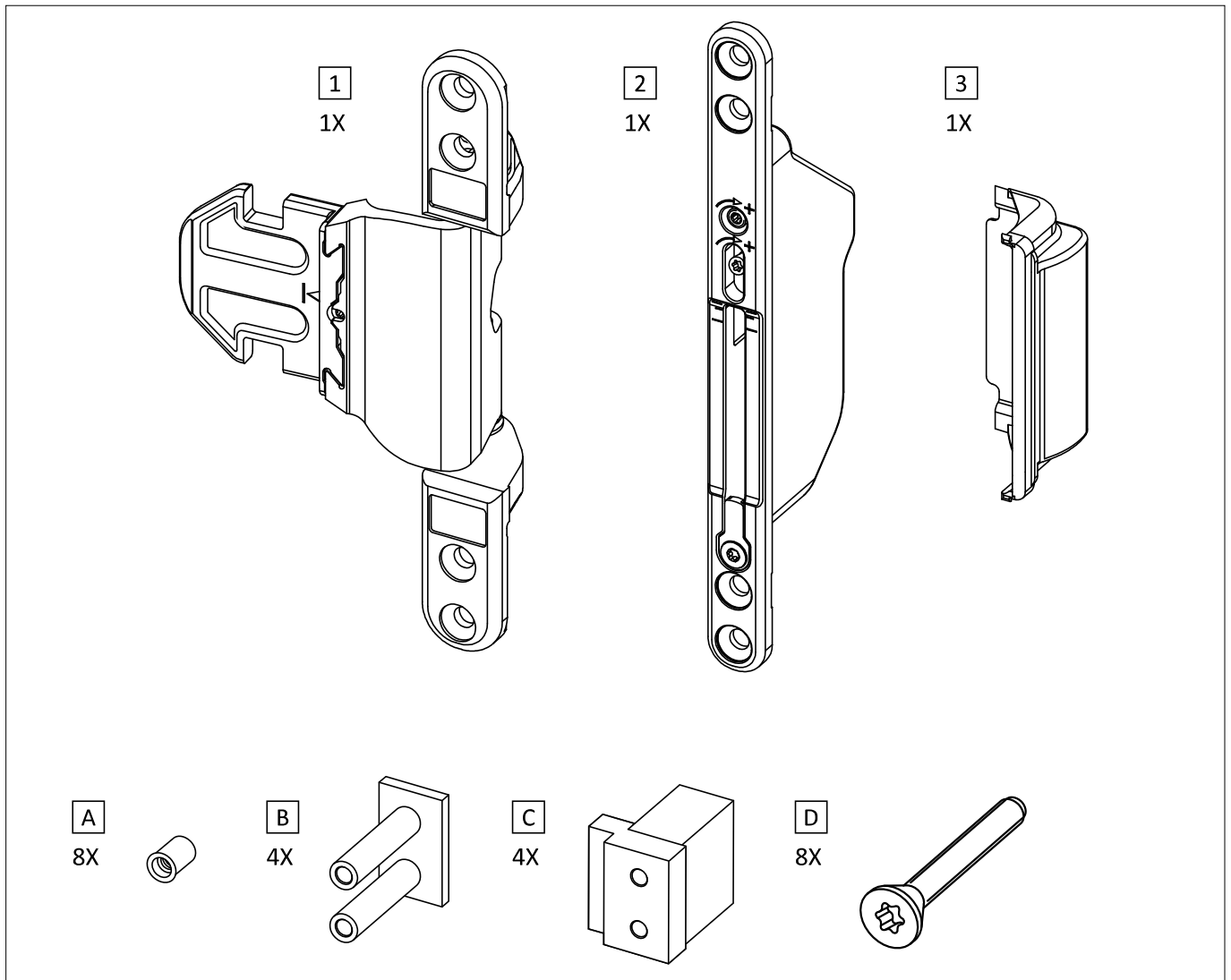


for aluminium doors

#### 4 Component overview



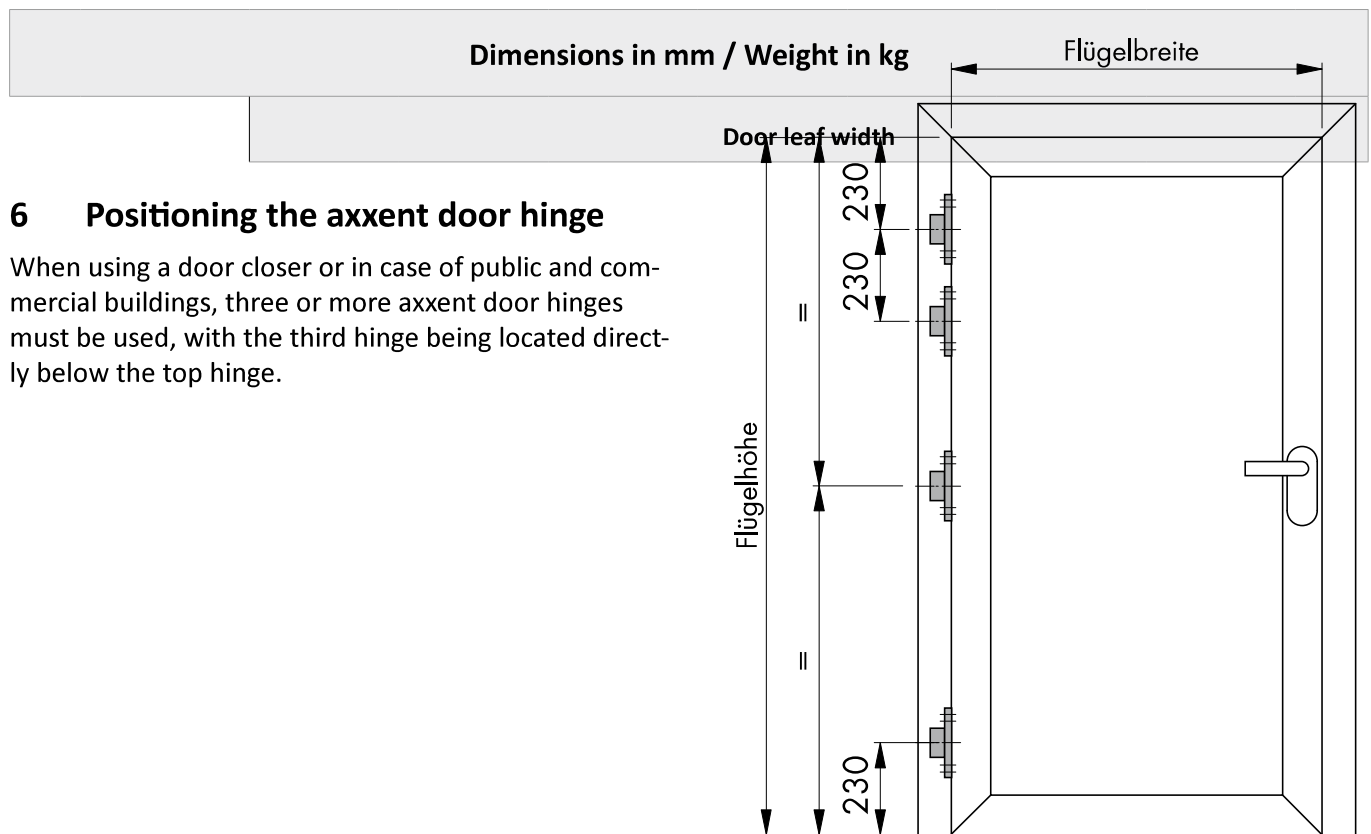
Item	Component	Material number
1	Frame part	TBV RT7...
2	Sash part	TBV FT7...
3	Cover cap	TBV AK7...TBV AK7...
A	M6 clinch nut	TBX ZU003
B	Screw cases	Profile-specific
C	Attachment part	Profile-specific
D	Countersunk screws M6 x 25/M6 x 40 DIN965, T 30	TBX ZU001 / profile-dependent

### 5 Size variants

The following table displays the maximum permissible load values of the axxent door hinge, taking into consideration the interaction between the height (interval between the bottom to the top axxent door hinge) and the width of the door leaf.

On the basis of a hinge clearance of 1435 mm, the maximum permissible weight of the door leaf of 120 kg decreases from a door leaf width of 1001 mm.

Dimensions in mm / Weight in kg								
Hinge clearance	1900 - 2000	maximum weight of the door leaf = 120 kg						Door leaf weight
	1850 - 1899						119	
	1800 - 1849						116	
	1750 - 1799					117	113	
	1700 - 1749				118	114	109	
	1650 - 1699				115	110	106	
	1600 - 1649			116	111	107	103	
	1550 - 1599		118	113	108	104	100	
	1435 - 1549	114	109	104	100	96	92	
up to 1000		1001 - 1050	1051 - 1100	1101 - 1150	1151 - 1200	1201 - 1250	1251 - 1300	



### 6 Positioning the axxent door hinge

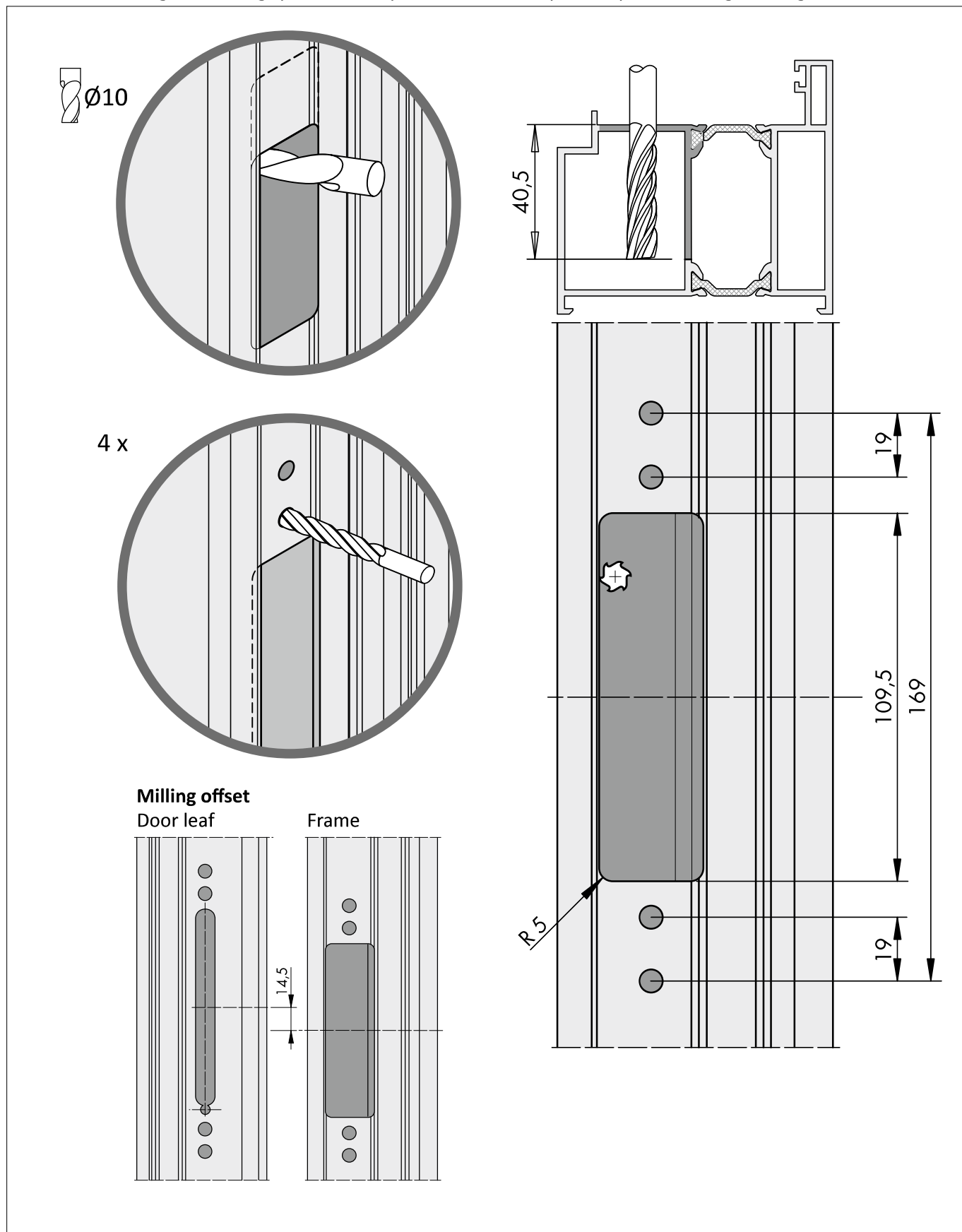
When using a door closer or in case of public and commercial buildings, three or more axxent door hinges must be used, with the third hinge being located directly below the top hinge.

for aluminium doors

## 7 Installation steps

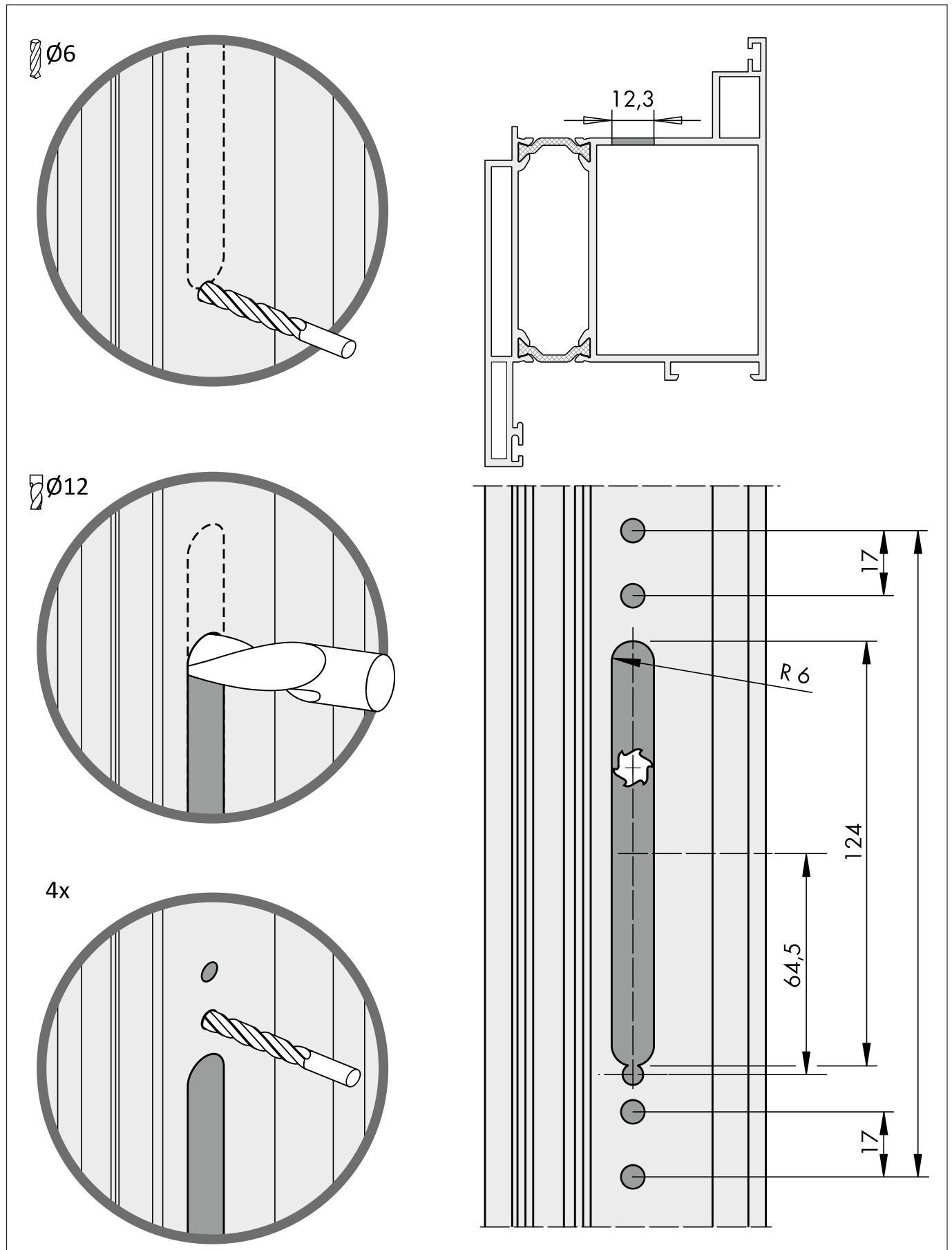
### 1.1 Assembly step 1: milling the frame

For detailed milling and drilling specifications please refer to the profile-specific milling drawing.

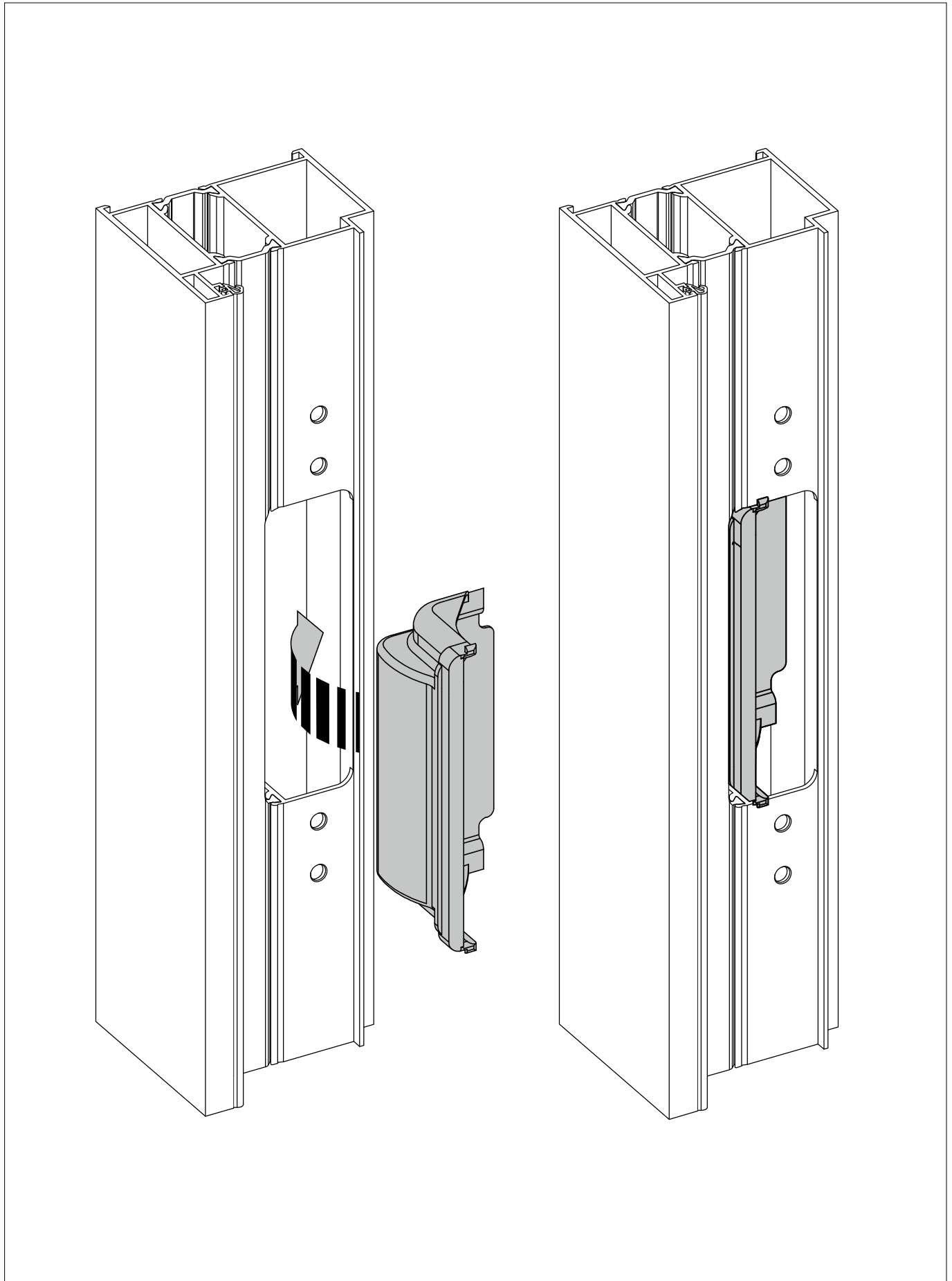


**1.1 Assembly step 2: Milling the sash**

For detailed milling and drilling specifications please refer to the profile-specific milling drawing.

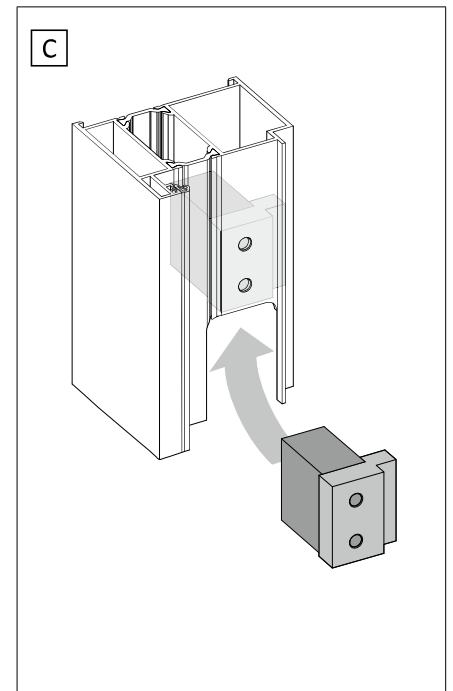
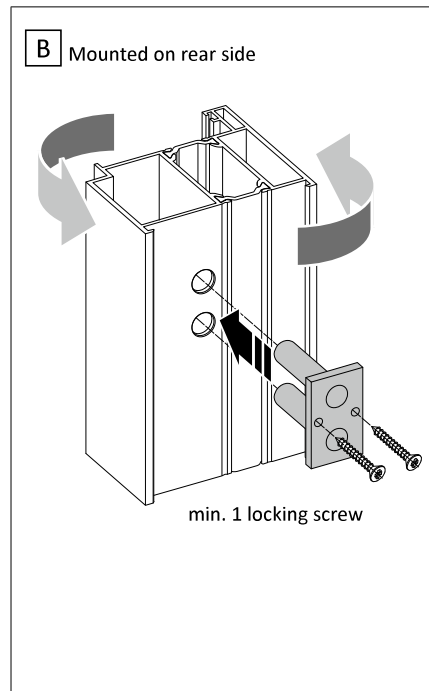
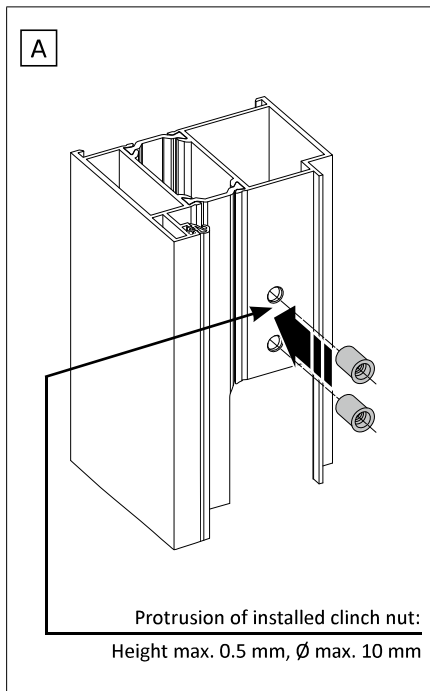


for aluminium doors

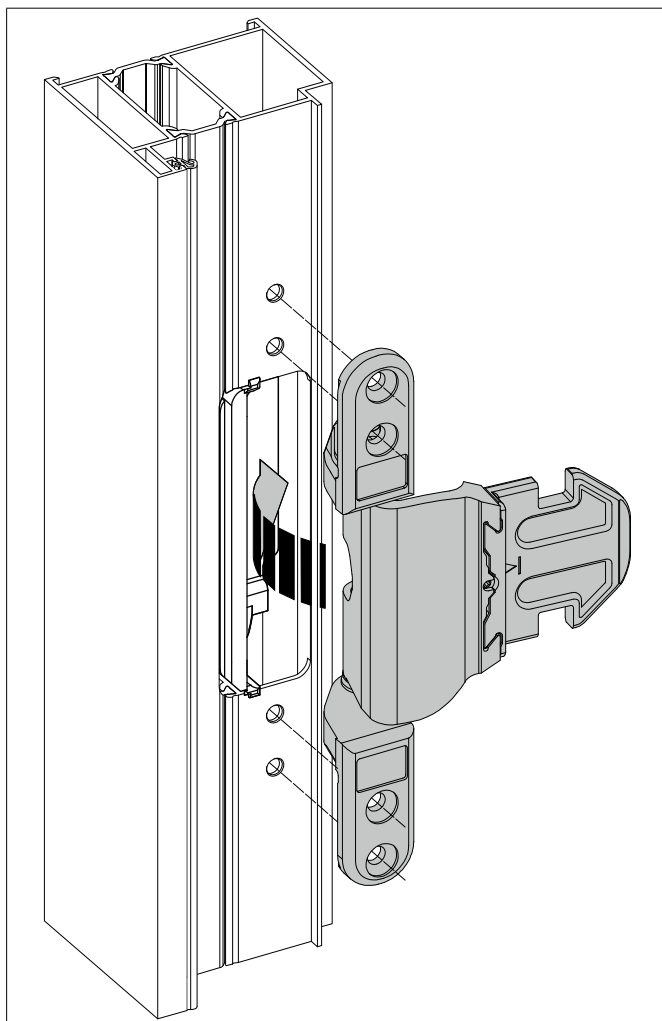
**1.1 Assembly step 3 - Inserting the cover cap into the door frame**

1.1 Assembly step 4 - Installing the frame part

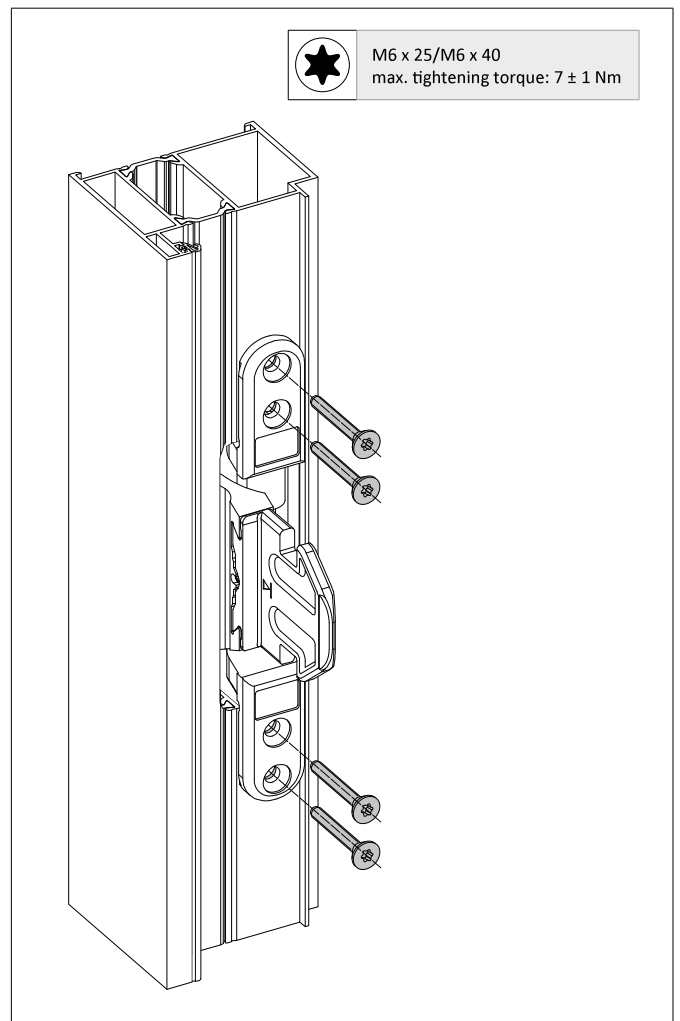
Step 1 (optionally)



Step 2



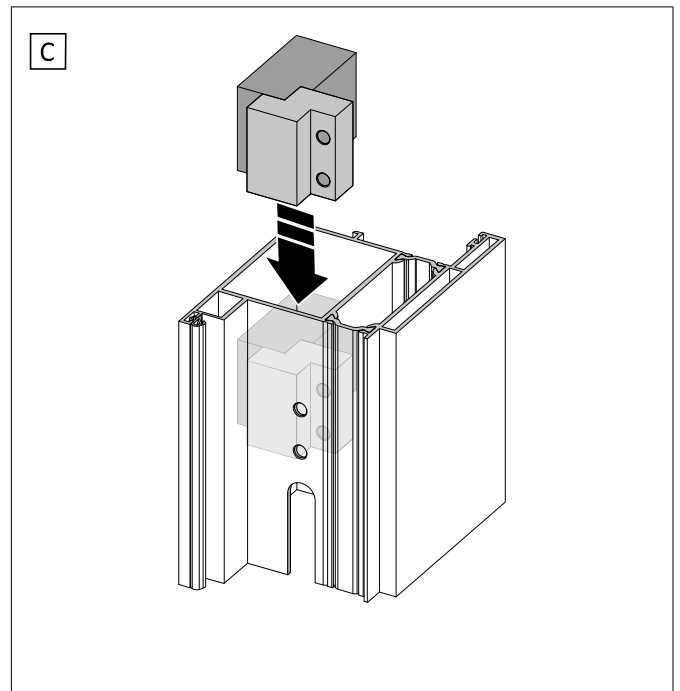
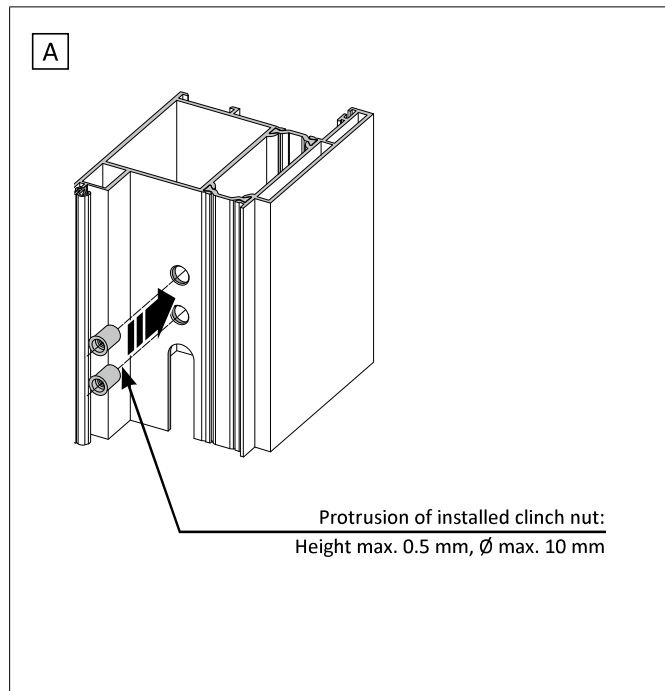
Step 3



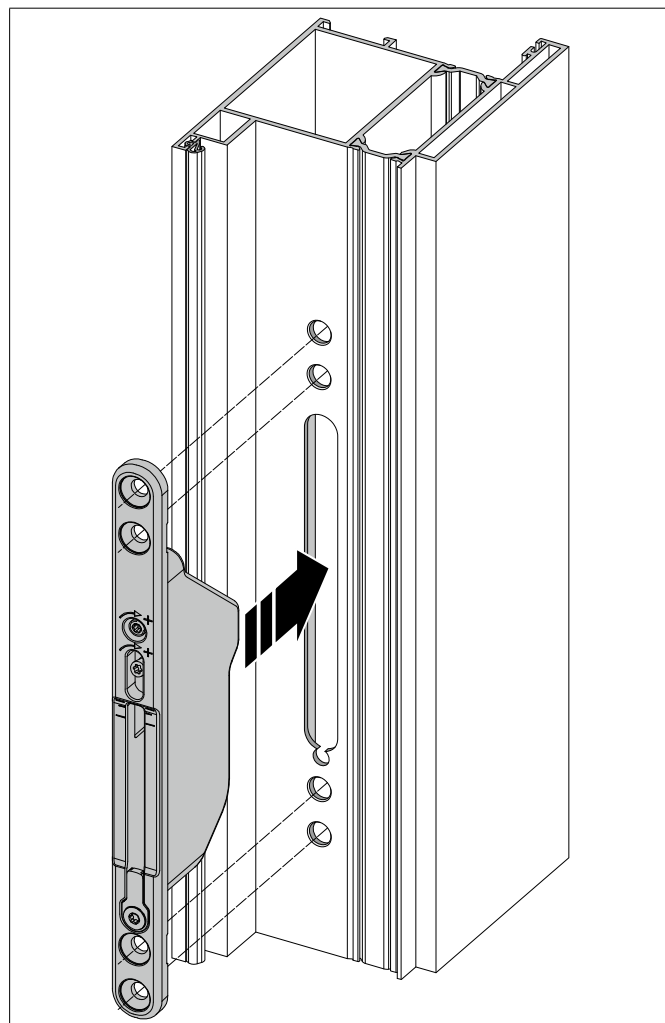
for aluminium doors

1.1 Assembly step 5: Installing the sash part in the door leaf

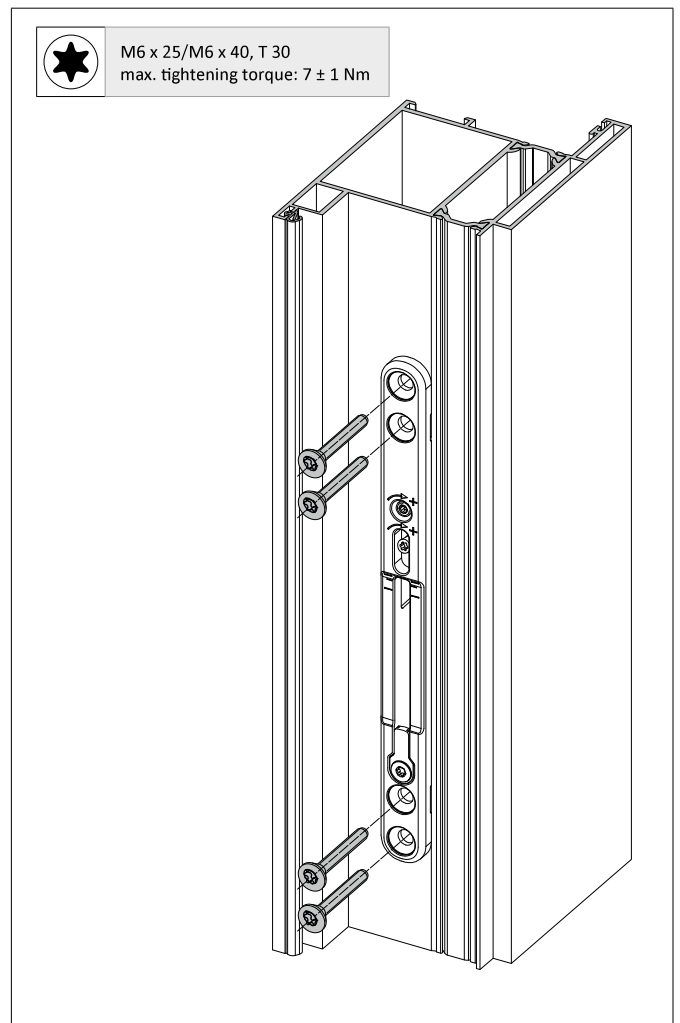
Step 1 (optionally)



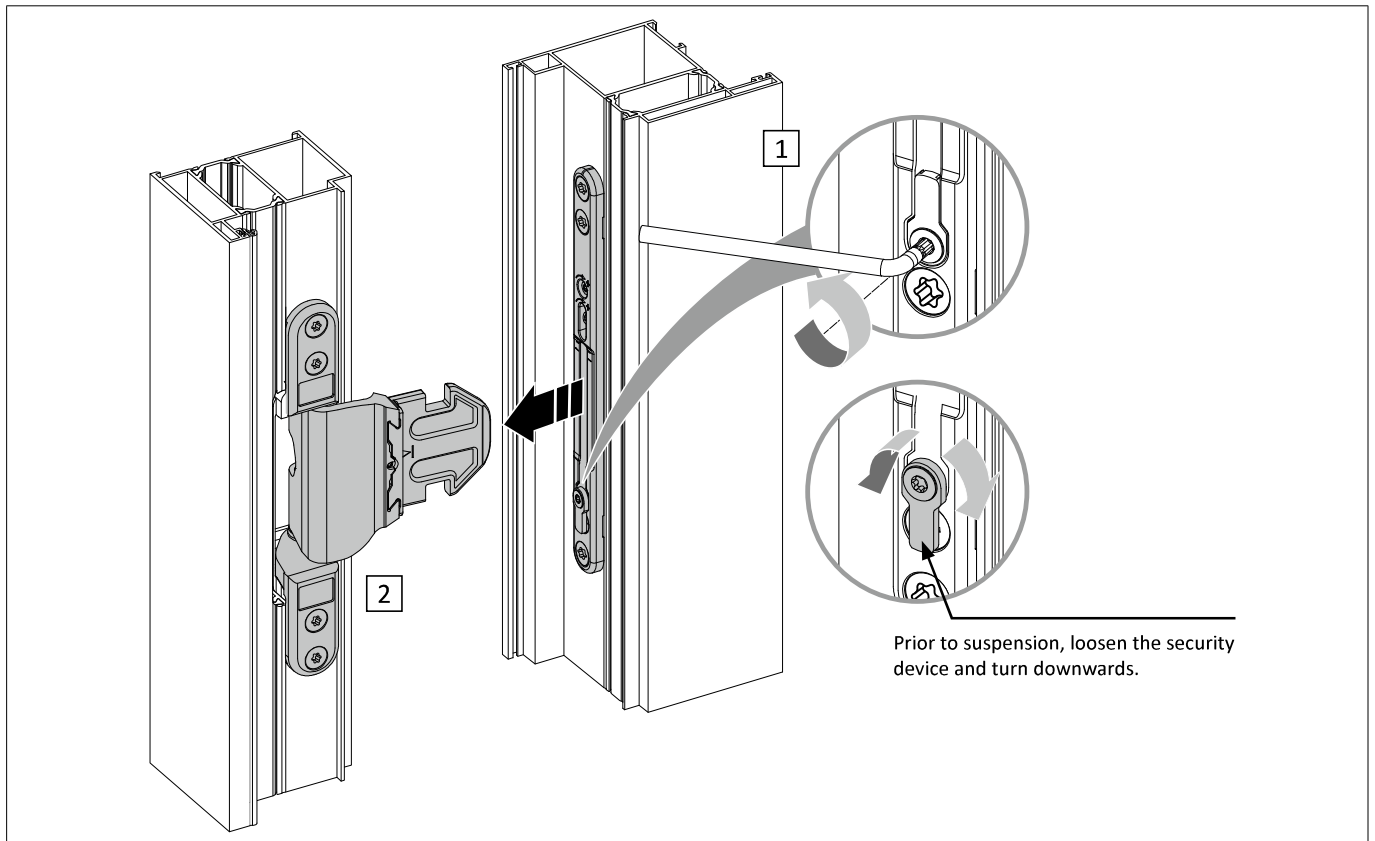
Step 2



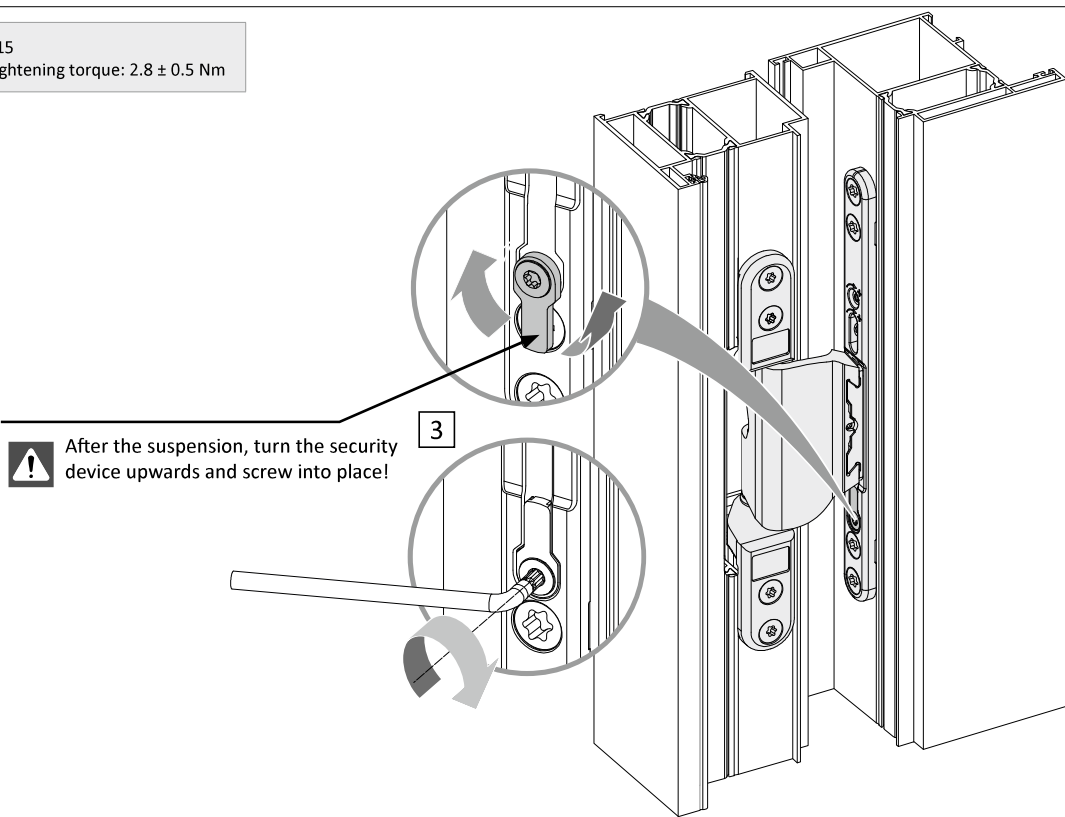
Step 3



1.1 Assembly step 6: suspension of the door leaf



M4, T 15  
max. tightening torque:  $2.8 \pm 0.5$  Nm



Especially suitable for adjustment,

Material description	Material number
TBX ZU002 Screwdriver TX-XXP010	3508880

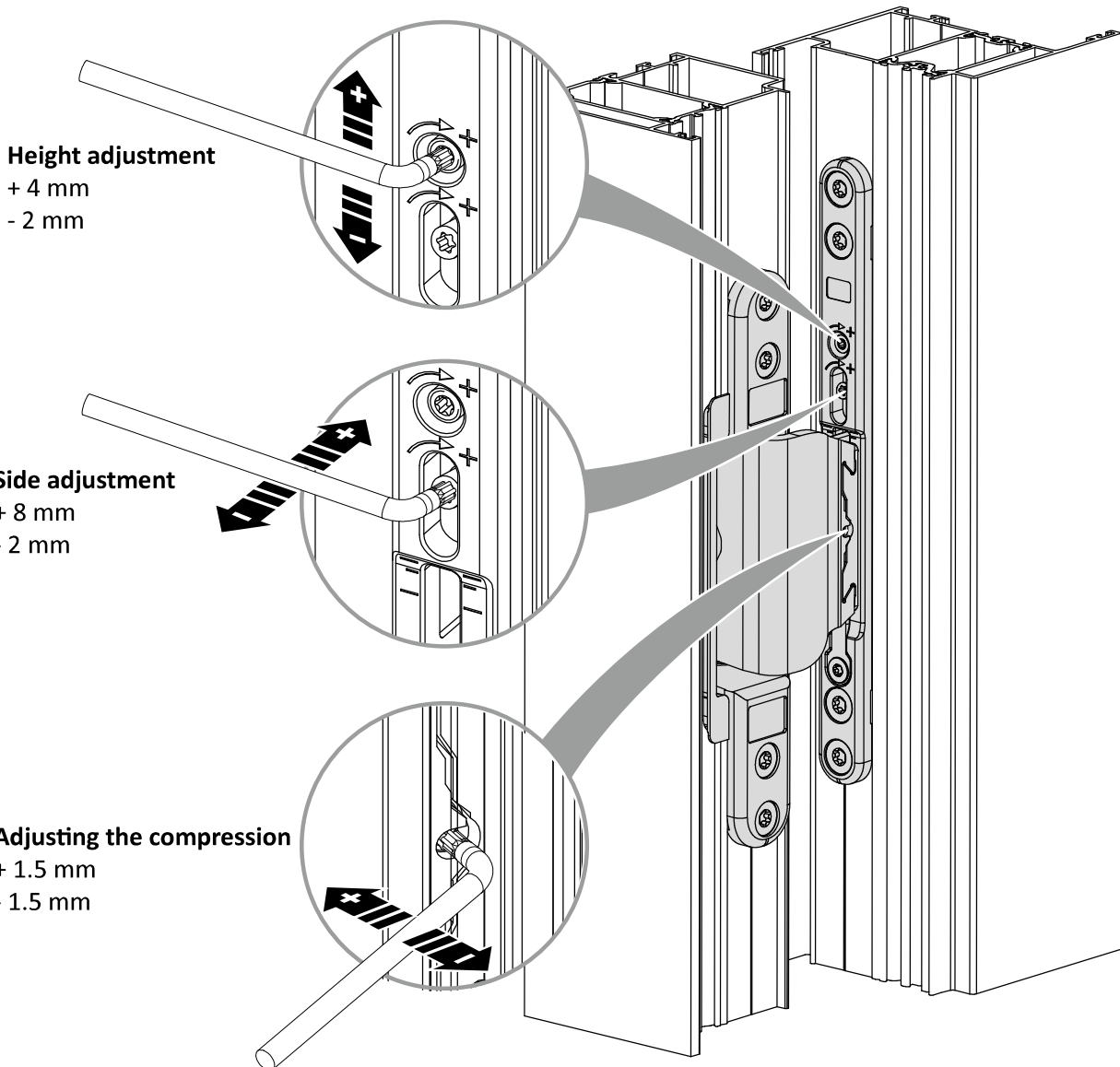


for aluminium doors

**1.1 Assembly step 7: Adjustment options**



- Perform adjustments with the unit installed.
- Always adjust all door hinges synchronously.
- During the elevating adjustment, ensure that the top hinge bears the load in a controlled manner.



Especially suitable for adjustment,	
Material description	Material number
TBX ZU002 Screwdriver TX-XXP010	3508880