

FORCE

Linear spindle actuator - Force in push action 1000 N - Stroke 500, 750 and 1000 mm



- Load transmission by stainless steel spindle diameter 22 mm.
- High protection from atmospheric agent (IP 65).
- Supplied with fixing bracket and connector. Front or back fixing
- For a smaller dimension is available a back bracket to be ordered separately part No. 803821
- Warning: the actuator is provided with electronic limit stop. When the actuator is in stroke end positions, if in closing, do not repeat the closing operation, and vice versa in opening.

VOLTAGE SUPPLY	24 Vdc \pm 10%
ELECTRIC CONNECTION	2 wires
OPERATION	by polarity inversion
STROKE	500/750/1000 mm
FORCE (in push and pull action)	1000 N
SPEED	~ 6 mm/s
CURRENT ABSORPTION (with max load)	~ 1,4 A
PARALLEL CONNECTION	YES
LIMIT STOP	Electronic
SAFETY STOP	Electronic
PROTECTION CLASS	IP 65

PART No.
SILVER ANODIZED

STROKE 500 mm
40204U

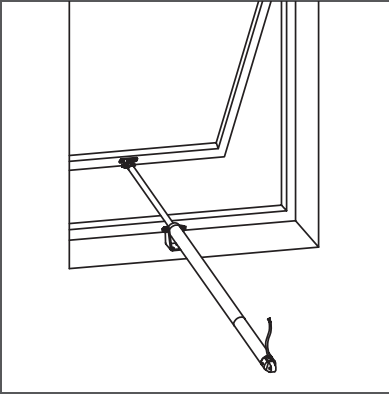
STROKE 750 mm
40103Q

STROKE 1000 mm
40236G

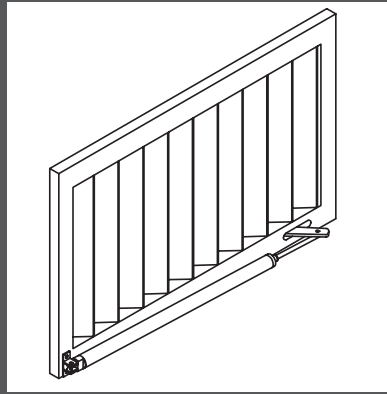
SPECIFICATION PROSPECTS

Electric linear actuator Ultraflex Control Systems named Force with load transmission by rigid stainless spindle \varnothing 22 mm. Stroke 500, 750 - 1000 mm. Voltage supply: 24 Vdc. Force 1000 N. Class protection IP 65. Parallel connection. Electronic safety limit stop. Casing in silver anodized. Conform to 2004/108/CE directive.

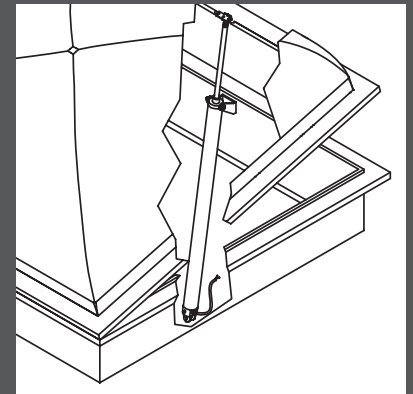
Installation examples



Installation on top hinged window with windowsill with fixing end bracket included

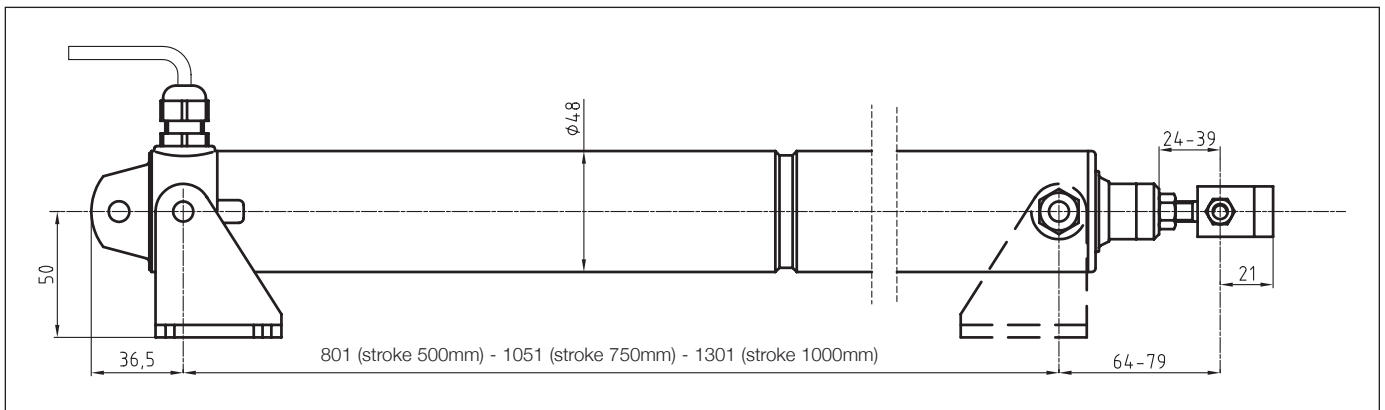


Installation on sun blades with back fixing through bracket included or through bracket part No. 803821 (for smaller dimension)



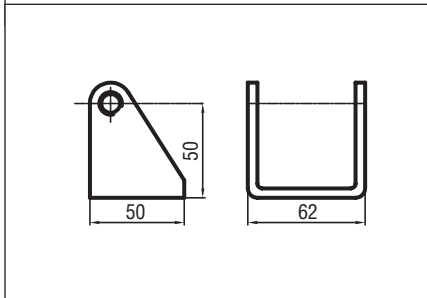
Installation on door with fixing end bracket included

⚠ The instructions for a safe installation are included in the section "SECURITY WARNINGS"

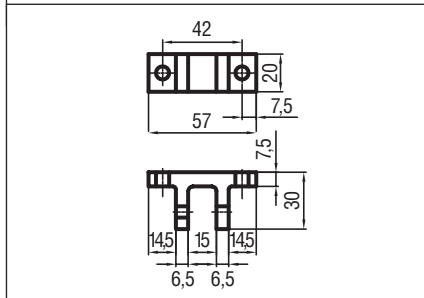


Actuator dimensions

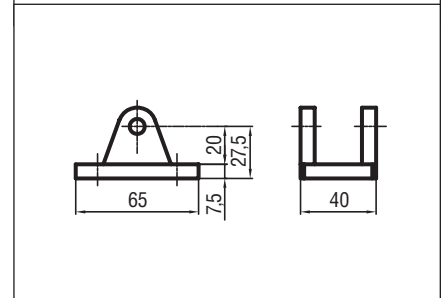
Accessories



Aluminium end bracket (included)



Connector kit to fix the spindle on the vent (included)



Aluminium back bracket part No. 803821