


QUASAR L - SYNCHRO QUASAR L

Chain actuator – Force in push action 300-150-100 N – Stroke 600-750-1000 mm



- Available 3 different series strokes: 600 mm – 750 mm – 1000 mm (750 and 1000 mm only for bottom hinged windows).
- Chain in double stainless steel links.
- Anodized (silver) or painted (white or black) aluminium casing.
- Quick and easy installation: the manual closing position regulation is not required, avoiding possible mistake. The stop in closing position is regulated by an electronic limit switch control.
- Electronic stop in the intermediate positions in case of overload.
- Easy replacement of the cable in case a different / longer cable or a different colour is required; upon request it is possible to supply actuators with cable exit by the opposite side.
- Supplied with 1,5 m cable (**QUASAR L**) or 3 m (**SYNCHRO QUASAR L**) and pivoting brackets for top hinged windows.
- 24 Vdc version is suitable for installation on **Smoke and Heat Extraction Ventilation** in conformity to UNI EN 12101-2 Standard and approved by **IFT Rosenheim** (test report 838-36075-1).
- **SYNCHRO QUASAR L** version is equipped with an integrated speed synchronization control board that allows the mounting of more than one actuator on the same vent, avoiding the installation of an external control panel. **AC version:** 1 Synchro Quasar L AC + 1 Synchro Quasar L DC (maz 2 couples), **DC version:** max 4 Synchro Quasar L DC.
- In case of Building Management System avoid repetitive commands in the same direction. For further information contact our Tech. Dept.
- **QUASAR L DC F-SIGNAL** and **SYNCHRO QUASAR L DC F-SIGNAL** are special versions with opening and closing feedback signal (free potential, maintained contact), activated by the current limit. **SYNCHRO QUASAR L DC F-SIGNAL** is provided with additional cable.
- **cFUS** version is available on request.
- For a higher resistance against atmospheric agents, it is available on request the Quasar L DC version with protection class **IP42**.
-  Available the version Quasar BMSline with programmable features (stroke, speed, force, ...) and different scenarios selectable with a connection to a computer and dedicated software. See BMSline section.



VOLTAGE SUPPLY
ELECTRIC CONNECTION
OPERATION
STROKE
FORCE IN PULL ACTION
FORCE IN PUSH ACTION (stroke)

SPEED
CURRENT ABSORPTION (with max load)
PARALLEL CONNECTION
LIMIT STOP
SAFETY STOP
FEEDBACK SIGNAL
PROTECTION CLASS

QUASAR L AC

100 Vac – 240 Vac
3 wires + earth

600 – 750 – 1000 mm
300N
300N (600mm) – 150N (750mm)
100N (1000mm)
~ 15 mm/s
0,4 A - 0,2 A
YES
Electronic
Electronic

IP40

QUASAR L DC

24 Vdc ± 10%
2 wires
by polarity inversion
600 – 750 – 1000 mm
300N
300N (600mm) – 150N (750mm)
100N (1000mm)
~ 15 mm/s
0,9 A
YES
Electronic
Electronic

IP40

QUASAR L DC F-SIGNAL

24 Vdc ± 10%
5 wires
by polarity inversion
600 – 750 – 1000 mm
300N
300N (600mm) – 150N (750mm)
100N (1000mm)
~ 15 mm/s
0,9 A
YES
Electronic
Electronic
Open/close
IP40

Part No.
ANODIZED ALUMINIUM
BLACK RAL 9005
WHITE RAL 9010

	600 mm	750 mm	1000 mm	600 mm	750 mm	1000 mm	600 mm	750 mm	1000 mm
41052C	41055J	41058R	41061D	41064K	41067S	41277V	41280Y	41283B	
41053E	41056L	41059T	41062F	41065M	41068U	41278W	41281Z	41284C	
41054G	41057N	41060B	41063H	41066P	41069W	41279X	41282A	41285D	

VOLTAGE SUPPLY
ELECTRIC CONNECTION
OPERATION
STROKE
FORCE IN PULL ACTION
FORCE IN PUSH ACTION (stroke)

SPEED
CURRENT ABSORPTION (with max load)
PARALLEL CONNECTION
LIMIT STOP
SAFETY STOP
FEEDBACK SIGNAL
PROTECTION CLASS

SYNCHRO QUASAR L AC

100 Vac – 240 Vac
3 wires + earth + 5 wires

600 – 750 – 1000 mm
300 N
300N (600mm) – 150N (750mm)
100N (1000mm)
~ 15 mm/s
0,8 A - 0,4 A*
YES
Electronic
Electronic

IP40

SYNCHRO QUASAR L DC

24 Vdc ± 10%
5 wires
by polarity inversion
600 – 750 – 1000 mm
300 N
300N (600mm) – 150N (750mm)
100N (1000mm)
~ 15 mm/s
0,9 A
YES
Electronic
Electronic

IP40

SYNCHRO QUASAR L DC F-SIGNAL

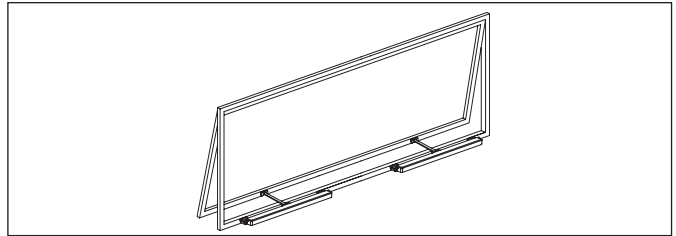
24 Vdc ± 10%
5 wires + 3 wires
by polarity inversion
600 – 750 – 1000 mm
300 N
300N (600mm) – 150N (750mm)
100N (1000mm)
~ 15 mm/s
0,9 A
YES
Electronic
Electronic
Open/close
IP40

Part No.
ANODIZED ALUMINIUM
BLACK RAL 9005
WHITE RAL 9010

	600 mm	750 mm	1000 mm	600 mm	750 mm	1000 mm	600 mm	750 mm	1000 mm
41286E	41289H	41292K	41189G	41212I	41242M	41295N	41298Q	41301T	
41287F	41290I	41293L	41190R	41240K	41243N	41296O	41299R	41302U	
41288G	41291J	41294M	41191T	41241L	41244O	41297P	41300S	41303V	

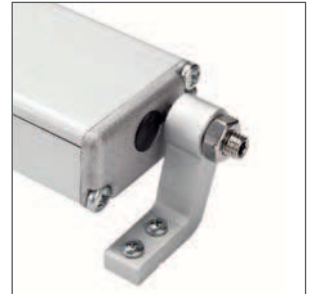
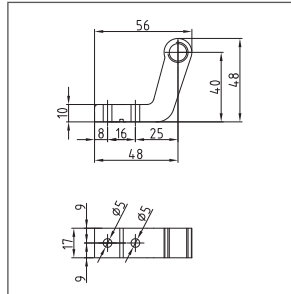
* If connected to another Synchro Quasar L DC current absorption is double

QUASAR L - SYNCHRO QUASAR L



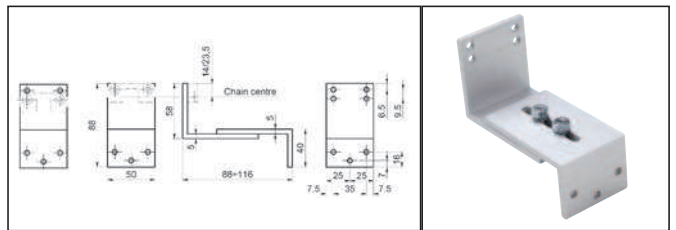
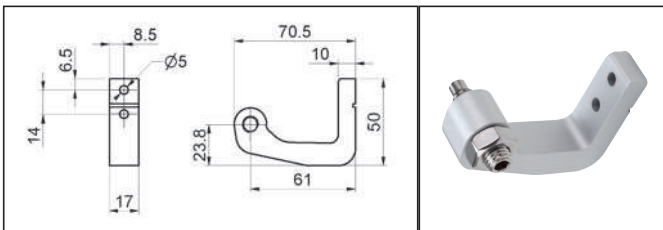
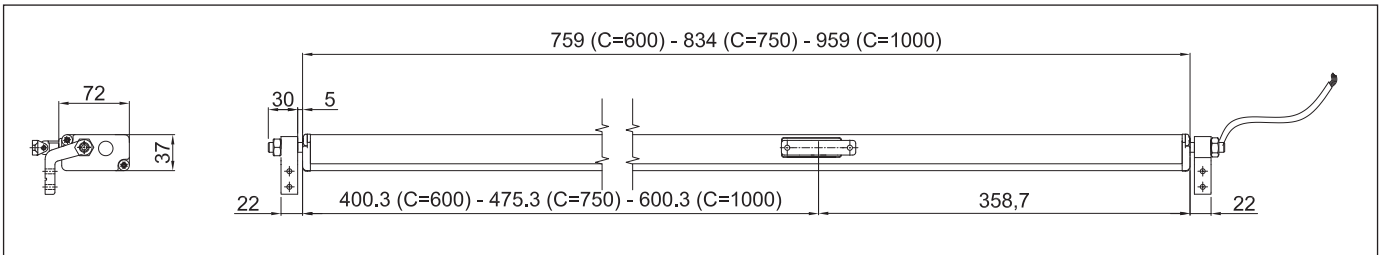
Synchro Quasar L installations examples

Accessories



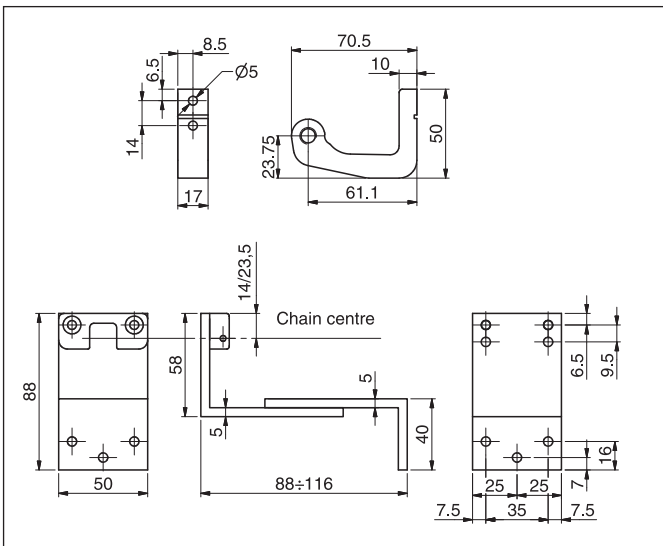
Pivoting brackets kit (2 pcs included)

Actuator dimensions



"C" pivoting brackets (to be ordered separately):
 GREY anodized aluminium part No. 41197Z
 BLACK painted RAL 9005 part No. 41198A
 WHITE painted RAL 9010 part No. 41199B

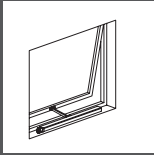
Aluminium adjustable "Z" bracket for bottom hinged window - part No. 41200C



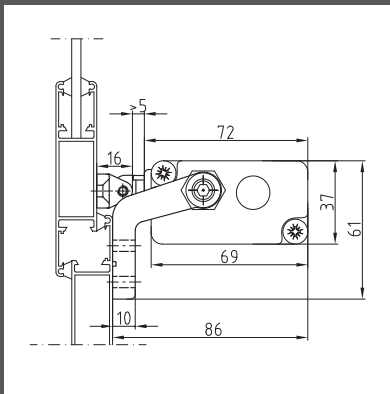
Kit for bottom hinged window with "C" pivoting brackets and aluminium adjustable "Z" bracket (to be ordered separately):
 GREY anodized aluminium part No. 41104K
 BLACK painted RAL 9005 part No. 41105L
 WHITE painted RAL 9010 part No. 41106M



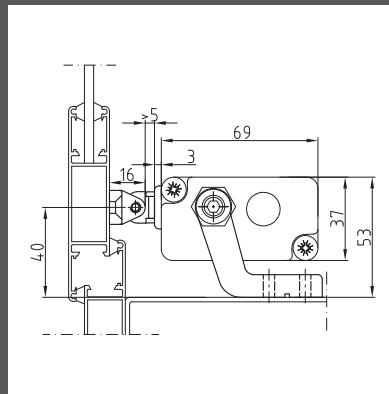
Installation examples



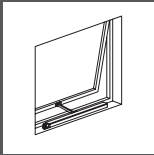
Top hinged windows



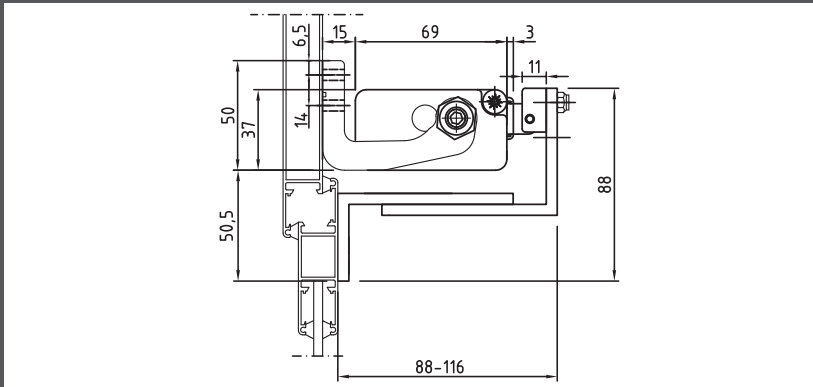
On the frame with pivoting brackets included



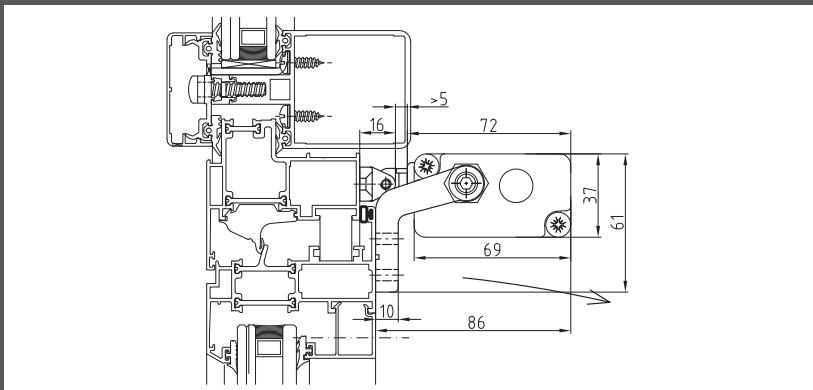
On windowsill with pivoting brackets included



Bottom hinged windows



On the frame with brackets for bottom hinged windows



On the vent with pivoting brackets kit included

⚠ The instructions for a safe installation are included in the section “SECURITY WARNINGS”

SPECIFICATION PROSPECTS

Electric chain actuator Ultraflex Control Systems named Quasar L with chain in double stainless steel links.

Voltage supply: from 100 to 240 Vac or 24 Vdc – Electronic limit stop; electronic stop in the intermediate positions in case of overload. Casing in aluminium: Anodized (silver) or painted (white or black). Pivoting brackets included.

The 100-240 Vac version and the 24 Vdc version are conform to 2004/108/CE, the 100-240 Vac version is conform to 2006/99/CE directives.

Electric chain actuator Ultraflex Control Systems named Synchro-Quasar L with chain in double stainless steel links. Suitable for mounting more than one actuator (max 4 actuators) on the same vent.

Voltage supply: from 100 to 240 Vac or 24 Vdc – Electronic limit stop; speed control; electronic stop in the intermediate positions in case of overload. Casing in aluminium: Anodized (silver) or painted (white or black). Pivoting brackets included.

The 100-240Vac and the 24Vdc versions are conform to 2004/108/CE directives , the 100-240 Vac version is conform also to 2006/95/CE directive.